

DESCRIPTION

The IP-SC15MC Network Horn Speaker delivers bi-directional communication with built-in internal mic. Compatible with SIP, ONVIF and Multicasting the horn is ideal for broadcasting intelligible messages and communication to the security office. Operating temperature of -45° C it can operate outdoor comfortably year round. Multiple broadcasting modes with storage for 20 audio files.

FEATURES

- Bidirectional communication with built-in internal mic
- IP66 rating for weatherproof outdoor installations
- Compatible with SIP, ONVIF and audio multicasting
- Local broadcast using internal audio files
- Contact input for program playback
- Contact out for external device control
- HTTP commands (receive)
- Audio file storage (20 files, total 128MB, WAV/MP3) playback programs (Repeat, Weekly Timer)
- PoE/PoE+ powered

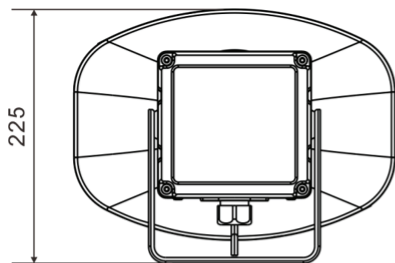
SPECIFICATIONS

Power supply	DC24V / 2.7A, Removable terminal block (2 pins) PoE/PoE+ (IEEE 802.3af/at)
Power consumption	15 W (+/- 10%)
Speaker sensitivity	113dB (1W, 1m at 500 Hz to 2.5 kHz peak level)
Frequency response	250 ~ 10 kHz
Microphone	Omni-Directional electret condenser microphone
Microphone functions	ANC (Ambient Noise Controller), Audio check, Audio Surveillance with VMS software, SIP bi-directional communication
Audio sampling frequency	32kHz
Broadcasting mode	-SIP Broadcasting mode: MP3, LPCM, G711A, G711U, G722, G729 -Multicast Broadcasting Mode: G711A, G711U, G722, IMA-ADPCM, -VMS Broadcasting Mode: Audio Backchannel, PCMU -Internal Message Broadcasting Mode Note: Each broadcast mode can be assigned an order of priority using the Priority Setting function.
Internal messages	Maximum 128MB. Supported file formats: MP3 file, 32kHz sampling frequency, 128 kbps Trigger: Control Input or Remote API (HTTPS) or IP-1000S1 (IP-1000 system software)
Network I/F	100BASE-TX, MDI/MDI-X, RJ45
Network protocol	TCP/IP, UDP, HTTP, RTP, ARP, ICMP, IGMP, SIP

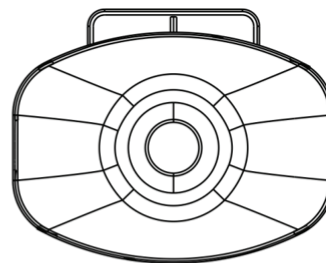
Control input/output	-2 channels inputs, no-voltage make dry contact inputs (IN1/IN2/GND), open voltage: 5V DC, short-circuit current: 2mA or less -1 channel output, Relay Output (COM /NO (normal open) /NC (normal close)), withstand voltage:30V DC, control current: Max. 50mA -Removable terminal block (6 pins: IN1/IN2/GND/NC/COM/NO)
LED	Power (orange), Network Status (green)
Dust/Water protection	IP66
Operating temperature	-45°C~ +55°C
Operating humidity	90%RH or less (no condensation)
Finish	Horn flare: Aluminum, Off-white, powder coating Reflector horn and rear cover: ABS resin, off-white Cable Grant: Aluminum Brackets, screws, and bolts: Stainless steel
Dimensions	285(W) x 227(H) x 277(D)mm 11.2" x 8.9" x 10.9"
Weight	1.95kg
Accessories	6P Terminal-block (1 pcs), 2P Terminal-block (1 pcs)

■ APPEARANCE

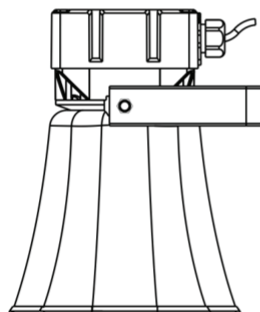
unit: mm



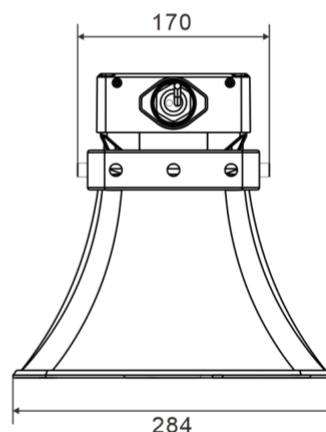
Rear View



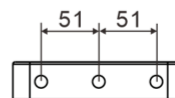
Front View



Side View A



Side View B



Mounting hole position