

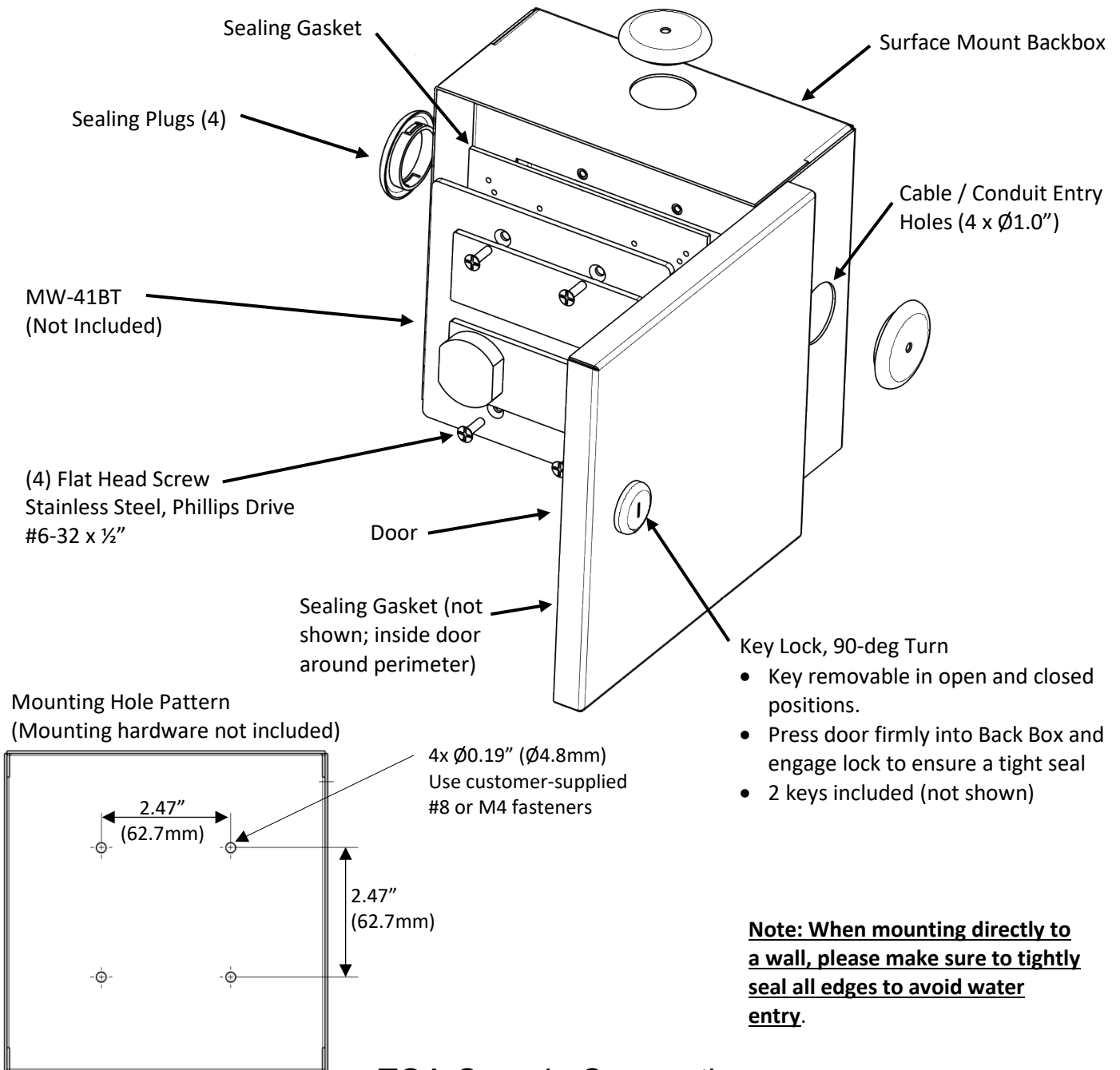
# SURFACE MOUNT BACKBOX

# BX-41S

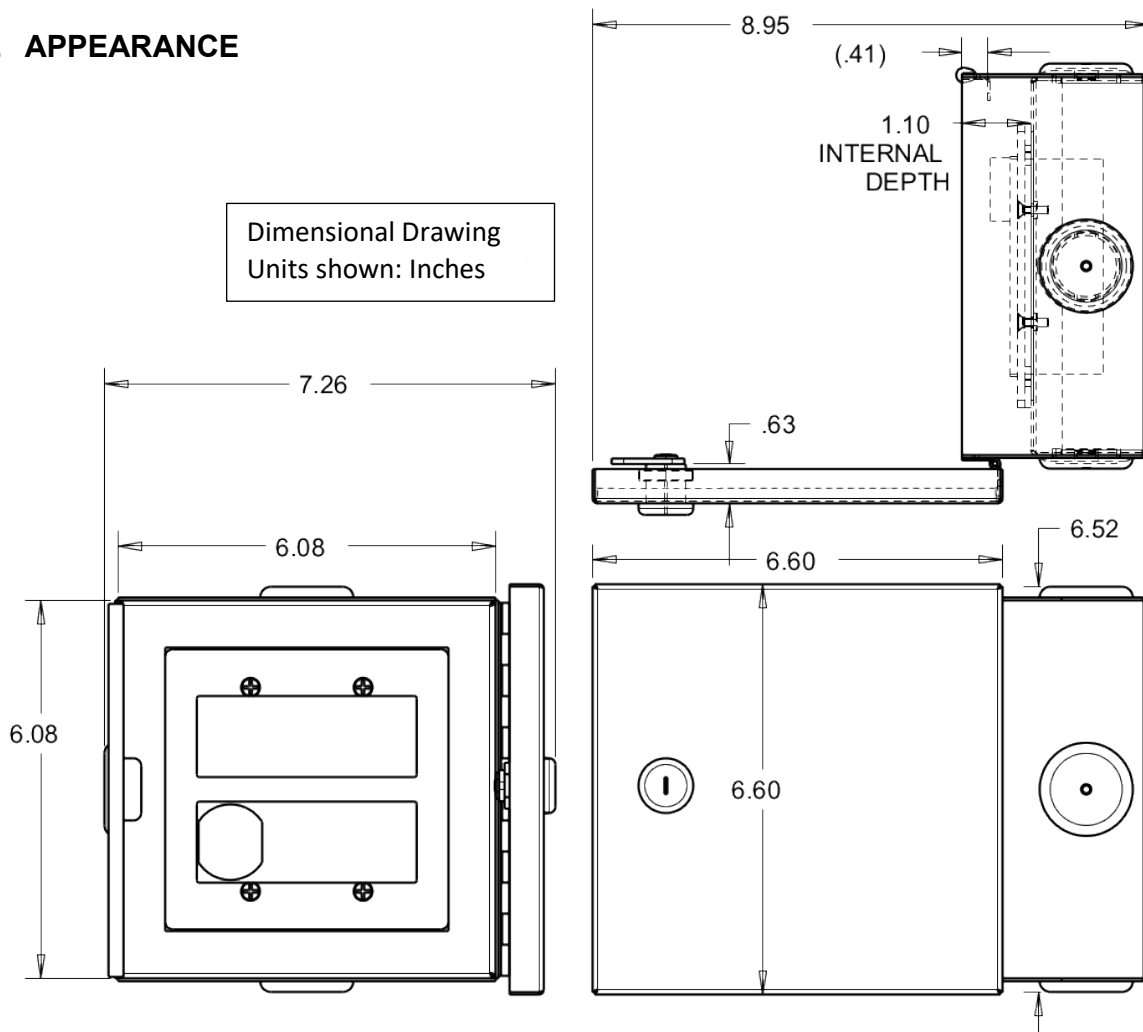
## 1. DESCRIPTION

The BX-41S is a Surface Mount Backbox for the MW-41BT Audio Interface. It is designed to mount directly to a wall in indoor or in mild wet environments when sealed correctly. It uses a key lock mechanism for opening and securing the door.

## 2. INSTALLATION



### 3. APPEARANCE



### 4. SPECIFICATIONS

<b>Environment</b>	Indoor / can be installed in mild wet environments when sealed correctly
<b>Operating Temperature<sup>1</sup></b>	0°C to +40°C (32°F to 104°F)
<b>Construction</b>	Enclosure: 18GA Steel, Powder Coat Finish Black Door: 20GA Steel, Powder Coat Finish Black Lock: Made from Stainless Steel or Chrome/Nickel Plated Steel
<b>Dimensions</b>	Shipping: 210 x 210 x 216 mm (8.25 x 8.25 x 8.5 in) Product: See below
<b>Lock</b>	CAM Lock, Flat Key Style, w/ Shutter, Sealed 90-deg Engage/Disengage Lock Key Removable in Both Positions
<b>Weight</b>	Shipping: 1.22 kg (3.4 lbs) Product: 1.54 kg (2.7 lbs)

<sup>1</sup> Note: this is not the MW-41BT operating temperature, to get the audio interface operating temperature please refer to its specification sheet/operations manual