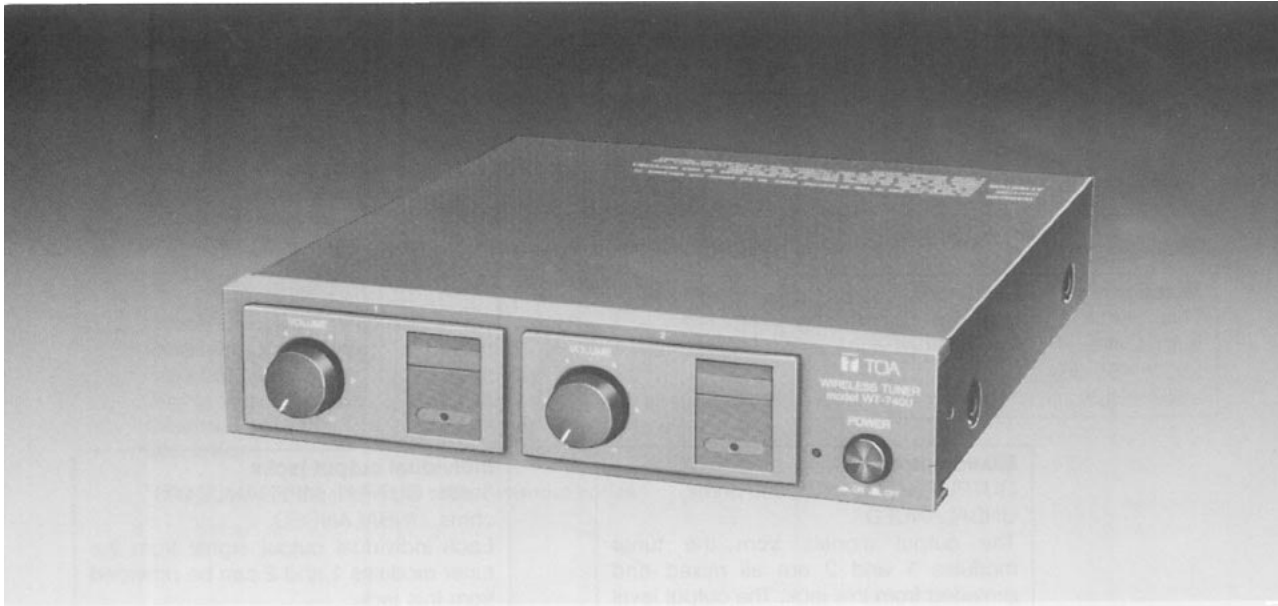




WIRELESS TUNER

WT-740U

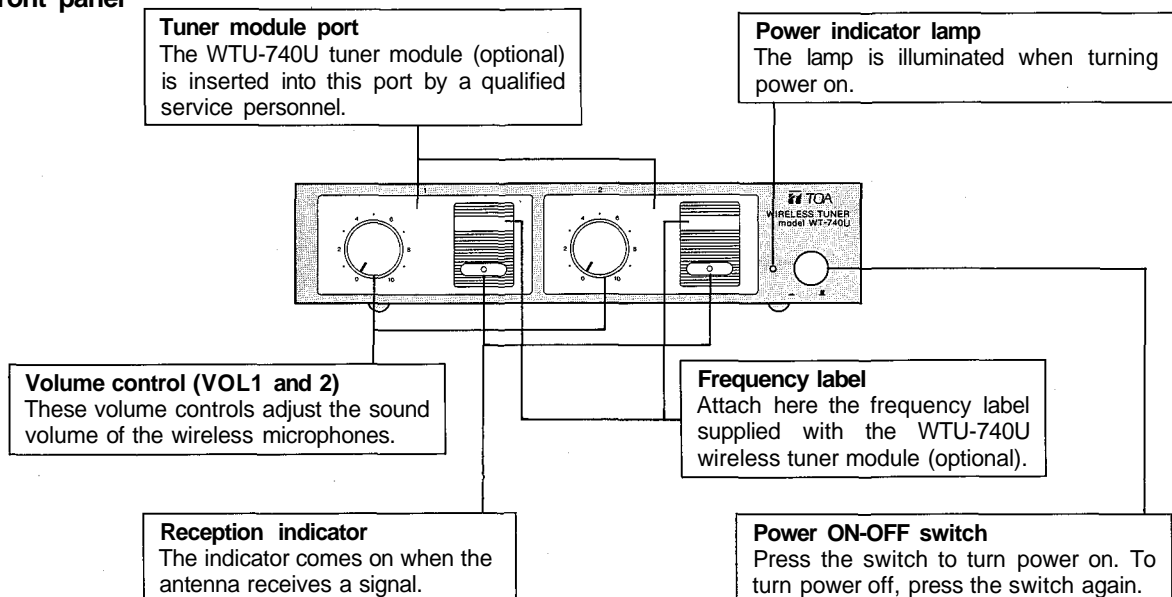


The WT-740U wireless tuner has been manufactured for use with a VHF high band system. When equipped with the WTU-740U tuner module (optional), it permits reception of up to two different frequency channels.

CAUTION RISK OF FIRE OR ELECTRIC SHOCK. UNIT NOT INTENDED FOR USE WITH EXTERNAL ANTENNA.

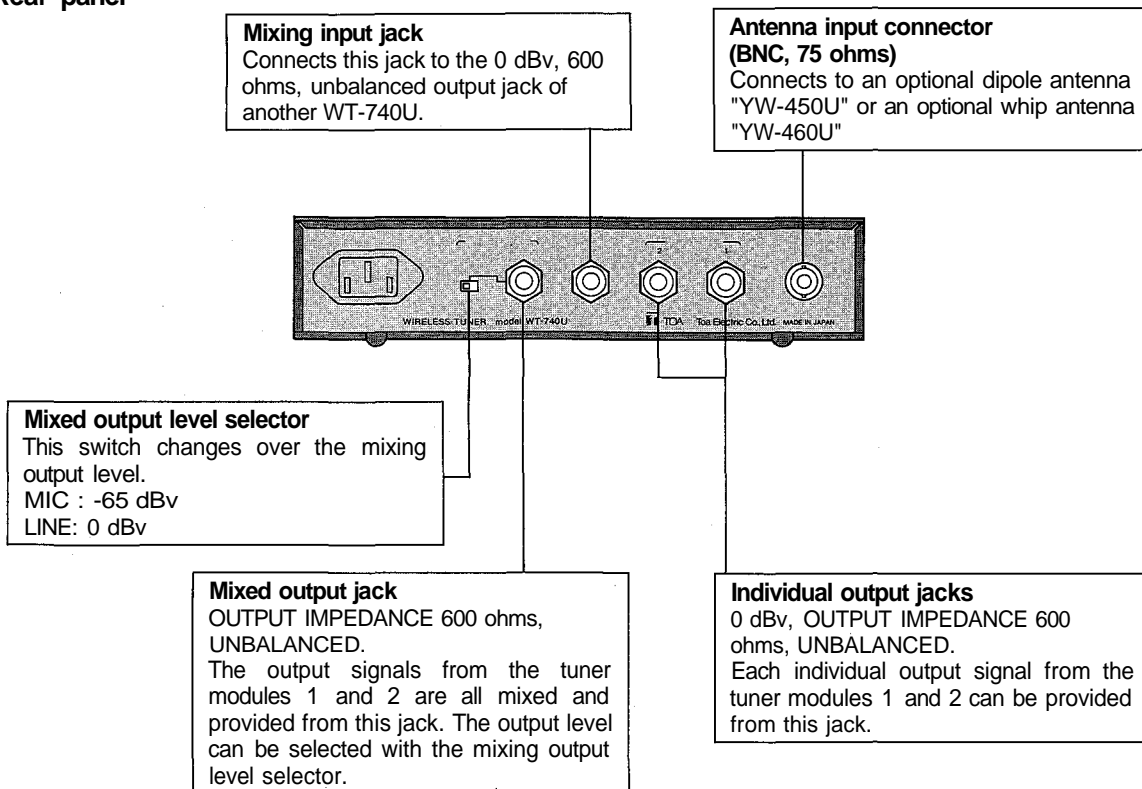
● Part Names And Functions

Front panel



● Part Names And Functions

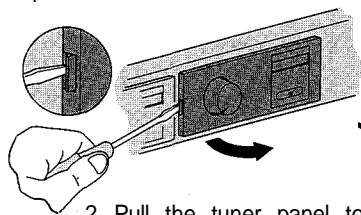
Rear panel



● Mounting The WTU-740U Tuner Module

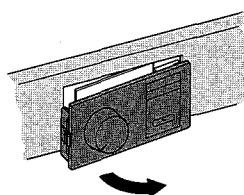
CAUTION: The setting of the tuner module WTU-740U has to be done by a qualified service personnel.

1. Press the stopper of the tuner panel with a screw driver.

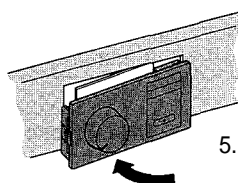
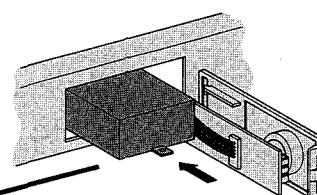


2. Pull the tuner panel towards you while pressing the stopper.

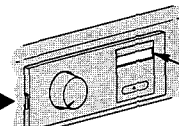
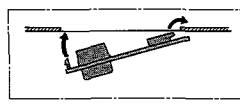
3. Open the tuner panel.



4. Insert a tuner module.



5. After checking to confirm the tight connection of the tuner panel connector, fit the tuner panel in place.

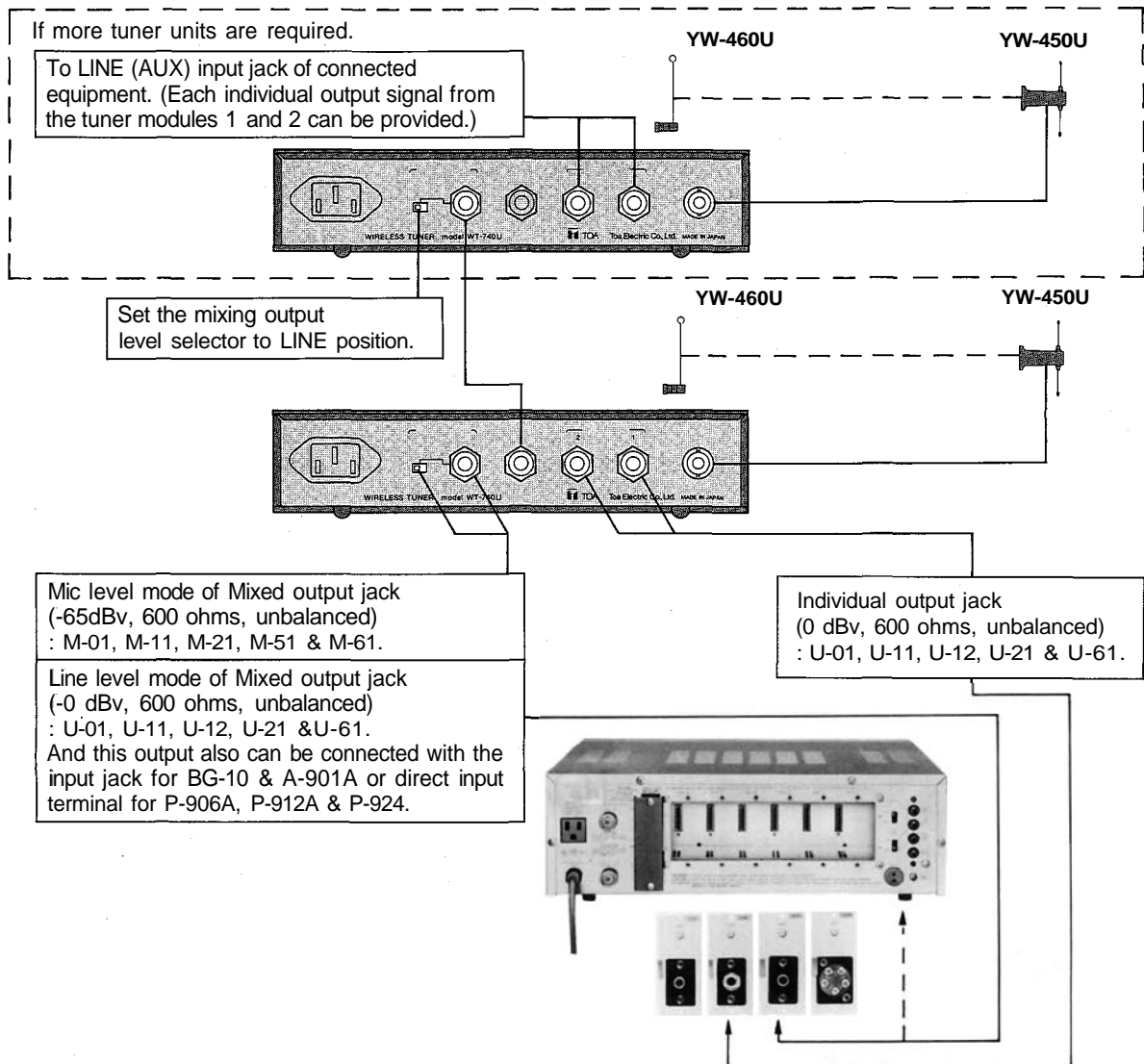


169.445

6. Attach the frequency label supplied with the tuner module to the assigned space.

● Connections

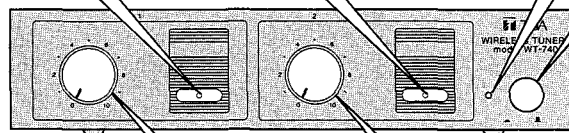
When using with the 900 series amplifiers, connect the output of WT-740U with the following modules of 900 series.



● Operation

2. Set the wireless microphone switch to on. Either of the two LED indicators on the tuner module with the same frequency as that of the wireless microphone comes on.

1. Turn power on, and the power indicator lamp comes on.



3. Adjust the volume with the volume control of which LED indicator is burning. If the volume control is set at 7 or more, the sound may be distorted when spoken loudly into the wireless microphone.

● Installation Of Antenna

Install the receiving antenna, tuner and connection cables, as far away as possible from such equipment that generates radio frequency noise as cars, fluorescent lamps and computerized equipment.

Do not install the antenna near the steel-made staff and like a lockers. And keep the antenna away from the wall more than 2 feet (60 cm)

If the distance between the wireless microphone and the receiving antenna is 60 to 100 feet (20 to 30 m), the radio wave can be received in good condition when the system uses a single antenna. Therefore, install the antenna within 100 feet (30 m) from the wireless microphone. (The YW-460U should be installed within 50 feet (15 m) from the wireless microphone.)

To minimize cable losses, do not extend connection cables longer than necessary.

Specification of the co-axial cable

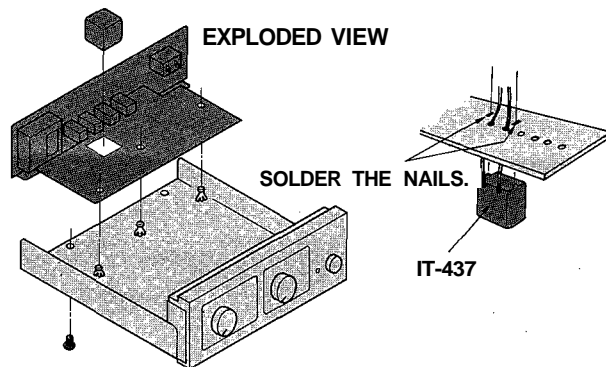
TYPE NUMBER	NOMINAL OUTER DIAMETER	MAXIMUM LENGTH
RG-59/U	0.24 inch (6.1 mm)	200 ft
RG-6/U	0.29 inch (7.4 mm)	200 to 260 ft

● Modifying The Output Connector To Balanced Type

NOTE: This modification is solely intended for a qualified service personnel.

Before starting the modification, arrange for input transformers Model IT-437 (optional).

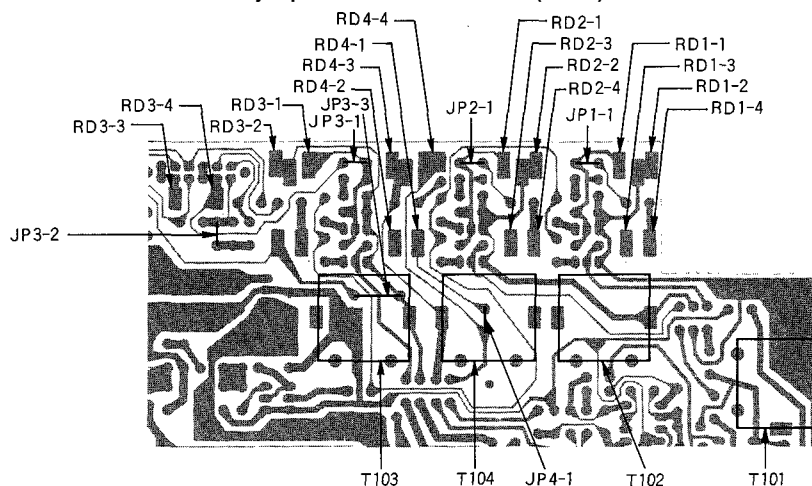
- 1) Be sure to unplug the power cable from the wall AC outlet.
- 2) Unscrew the unit's top cover and remove the PC board from the chassis.
- 3) Cut or insert and solder the jumper in accordance with following table.
- 4) Mount the IT-437 as shown below and solder the lead wire and nails.



IN/OUTPUT	CUT JUMPER	INSERT & SOLDER JUMPER	IT-437 MOUNT POSITION	LEAD WIRE SOLDERING POSITION			
				BROWN	ORANGE	YELLOW	BLUE
INDIVIDUAL 1	JP1-1 (JP111)	—	T101	RD1-1	RD1-2	RD1-3	RD1-4
INDIVIDUAL 2	JP2-1 (JP109)	—	T102	RD2-1	RD2-2	RD2-3	RD2-4
MIX OUTPUT	JP3-1 (JP104) JP3-3 (JP123)	*2) JP3-2 (JP102)	T103	RD3-1	RD3-2	RD3-3	RD3-4
MIX INPUT	*1) JP4-1 (JP122)	—	T104	RD4-1	RD4-2	RD4-3	RD4-4

*1) Remove the JP4-1 (JP122) clearly.

*2) Use tinned wire or the removed jumper wire JP3-1 for JP3-2 (JP102).



● Specifications

Power supply:	120V AC, 60 Hz
Power consumption:	7 W (using with WTU-740U 2 units)
Antenna input:	75 ohms, BNC jack
Maximum output:	12 dBv
Individual channel output:	0 dBv, 600 ohms, unbalanced
Mixing output:	LINE: 0 dBv, 600 ohms, unbalanced MIC: -65 dBv, 600 ohms, unbalanced
Temperature range:	14°F to 122°F (-10°C to 50°C)
Dimensions (WxHxD):	8.3"x1.9"x10" (210x47.5x253 mm)
Weight:	Approx. 4.6 lbs (2.1 kg)
Color and finish: Panel:	Grayish blue
Tuner receptacle cover (module front):	Resin (grayish blue)
Standard accessory:	3'3" (1 m) cable with phone plugs x 1 ea. AC power cable x 1 ea.

Overall receiver (WT-740U + WTU-740U)

Receiving sensitivity:	80 dB or more at input 20 dB/aV (Deviation 15 kHz)
Squelch sensitivity:	Less than 17 dB/μV
Signal to noise ratio:	Better than 90 dB (at input 60 dBμV/volume control in maximum position)
Residual noise:	Less than 30μV
Distortion:	Less than 1%

* Specifications are subject to change without notice

