

VOLUME CONTROL ATTENUATOR

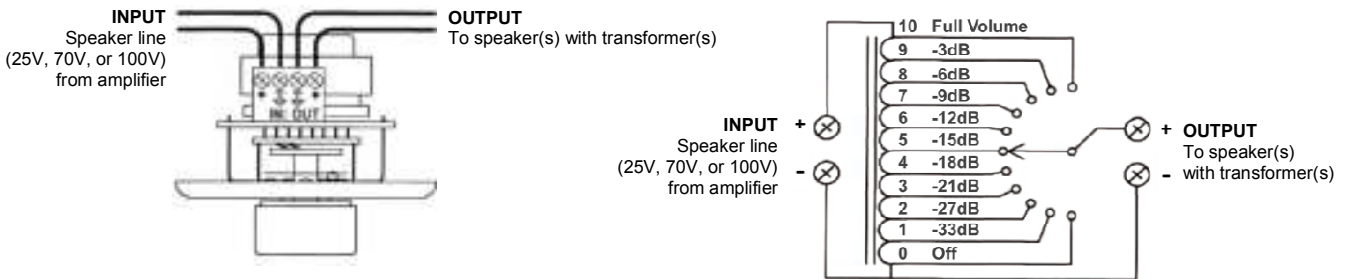
AT-025
AT-100
AT-100EMG
AT-10K

1. GENERAL DESCRIPTION

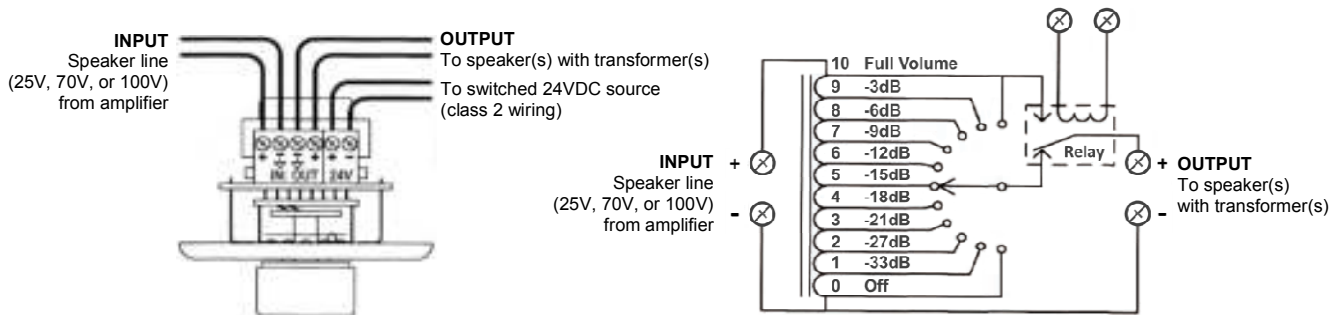
TOA's volume control attenuators provide precise level adjustment to single or multiple speaker lines. They are available in 25W or 100W models with a Decora-style wall plate. AT-100EMG is equipped with a 24VDC@15mA relay for applications that require emergency and paging signals to bypass/override the attenuator. AT-10K is a 10k ohm linear taper control for single-point remote level adjustment of voltage controlled amplifiers such as TOA's M-900MK2, A-900MK2, M-9000M2, A-9000M2, A-700, BG-2000, BA-200, AV-20D series mixers/amplifiers.

2. WIRING DIAGRAMS

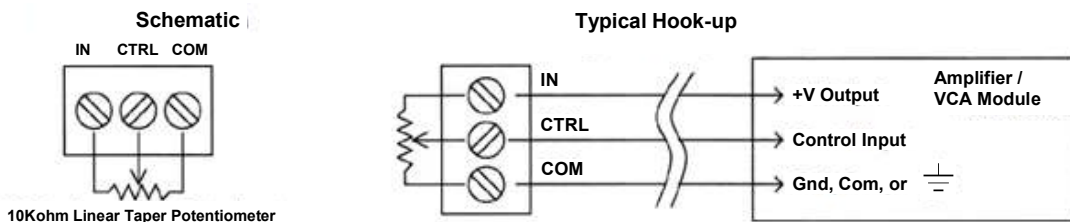
AT-025 / AT-100



AT-100EMG



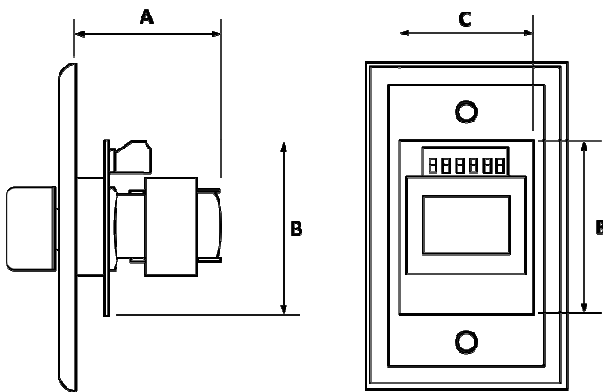
AT-10K



3. SPECIFICATIONS

Model	AT-025	AT-100	AT-100EMG	AT-10K
Input Capacity	25W	100W	100W	-
Attenuation	13 steps (0dB, -3dB, -6dB, -9dB, -12dB, -15dB, -18dB, -21dB, -24dB, -27dB, -30dB, -33dB, OFF)			Continuous 10kΩ
Wire Capacity	14-gauge			
Priority Relay	-	-	24VDC@15mA	-
Finish	White plate & sub-plate / Decora-style			
Dimensions	Plate Width 2.75" Plate Height 4.5" A: 1.75" B: 2.5" C: 1.875"	Plate Width 2.75" Plate Height 4.5" A: 1.812" B: 2.5" C: 1.875"	Plate Width 2.75" Plate Height 4.5" A: 2.125" B: 2.5" C: 1.875"	Plate Width 2.75" Plate Height 4.5" (see below drawing)

AT-025 / AT-100 / AT-100EMG



AT-10K

