

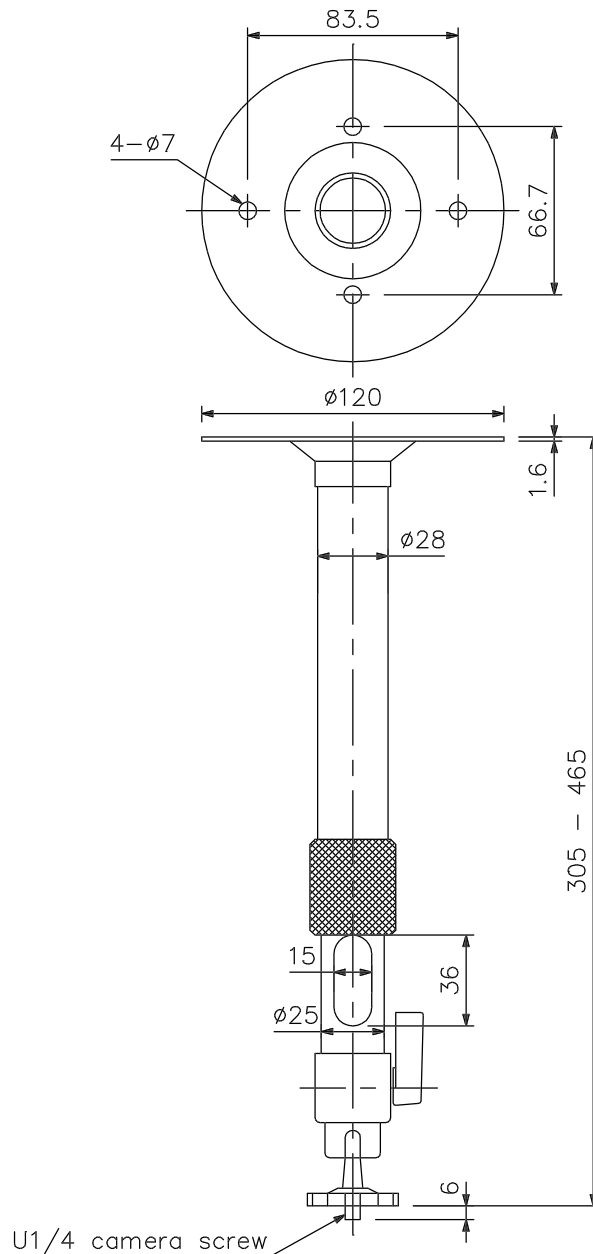
DESCRIPTION

Made of light metal and fitted with a rotatable camera pedestal the C-BC11 is an extensible mounting device for mounting an ITV camera to the ceiling. Since a BNC plug and co-axial cable can pass through the C-BC11's pipe, wiring looks quite neat.

SPECIFICATIONS

Permissible Load	4 kg
Angle Adjustment	Horizontal: +90° to -15° Vertical: 360°
Applications	Indoor use
Finish	Pipe: Aluminium, metallic silver, paint Camera pedestal: ABS resin, sand gray Other parts: metallic silver
Weight	360 g
Accessory	Fixing screw...4

APPEARANCE



UNIT:mm SCALE:1/3