

# TOA CEILING MOUNT SPEAKER 5INCH 6W PC-1860S

## DESCRIPTION

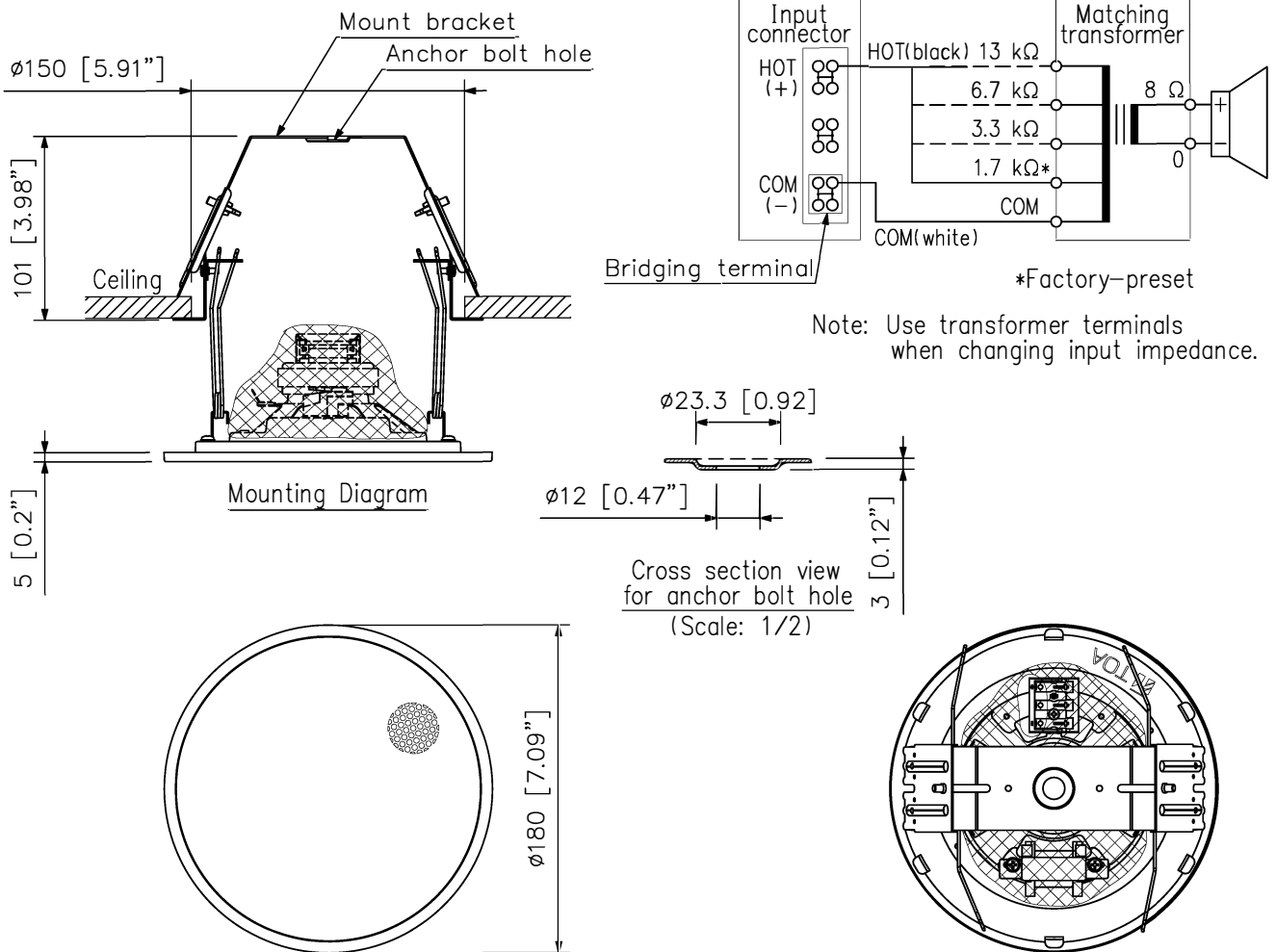
The PC-1860S Ceiling Mount Speaker features an mounting bracket for safety installation. The PC-1860S is suitable for announcement and music use in high quality sound cone speaker. Speaker design that harmonize with venue's architecture and decor.

## SPECIFICATIONS

Rated Input	6 W (100 V line), 3 W (70 V line)
Rated Impedance	100 V line: 1.7 kΩ (6 W), 3.3 kΩ (3 W), 6.7 kΩ (1.5 W), 13 kΩ (0.8 W) 70 V line: 1.7 kΩ (3 W), 3.3 kΩ (1.5 W), 6.7 kΩ (0.8 W), 13 kΩ (0.4 W)
Sensitivity	94 dB (1 W, 1 m) (500 Hz - 5 kHz, pink noise)
Frequency Response	80 Hz - 20 kHz (peak -20 dB)
Speaker Component	12 cm (5") cone-type
Dimensions for Fixing Hole	Mounting hole: $\phi 150 \pm 3$ mm (5.91" $\pm$ 0.12") Ceiling thickness: 5 - 25 mm (0.2" - 0.98")
Speaker Mounting Method	Spring catch
Operating Temperature	-10 °C to +50 °C (14 °F to 122 °F)
Applicable Cable	Solid wire: 0.5 - 3 mm <sup>2</sup> (AWG 20 - 12)
Connection	Push wire connection (Bridging terminal-2 branch type)
Finish	Frame: Steel plate, white (RAL 9016 equivalent), paint Grille: Steel net, white (RAL 9016 equivalent), paint Mounting bracket: Steel plate, plating
Dimensions	$\phi 180 \times 5$ (exposed section) + 101 (D) mm (7.09" $\times$ 0.2" + 3.98")
Weight	750 g (1.65 lb)
Accessory	Paper pattern ...1

\*Use BB-1864 Back Can

## APPEARANCE



UNIT:mm SCALE:1/4