

### DESCRIPTION

The WM-5320 lavalier wireless microphone has been manufactured for use with a UHF system. It employs an omni-directional electret condenser microphone element and has been designed for use in speech reinforcement applications. The built-in compressor-expander circuit minimizes the influence from ambient noise.

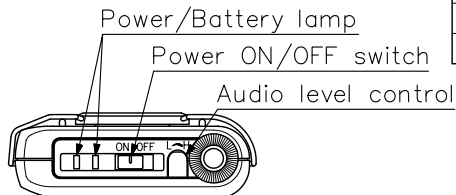
### SPECIFICATIONS

Microphone Element	Electret condenser microphone, omni-directional pattern
Modulation	Frequency modulation
Frequency Range	636 - 865 MHz*, UHF
Channel Selectable	64 channels (the number of channels may differ from country to country)
RF Carrier Power	50 mW or less
Tone Frequency	32.768 kHz
Oscillator	PLL synthesized
Maximum Input Level	110 dB SPL (Audio level control: Maximum position)
Maximum Deviation	±40 kHz
Audio Frequency Response	100 Hz - 15 kHz
Battery	LR6 (AA)
Battery Life	10 hours or more (alkaline)
Indicator	Power/Battery lamps
Antenna	Built-in type
Operating Temperature	-10°C to +50°C
Finish	Resin, coating
Dimensions	62 (W) × 102.5 (H) × 23 (D) mm
Weight	110 g (with battery)
Accessory	Screw driver .....1, Storage case .....1, Neck strap .....1

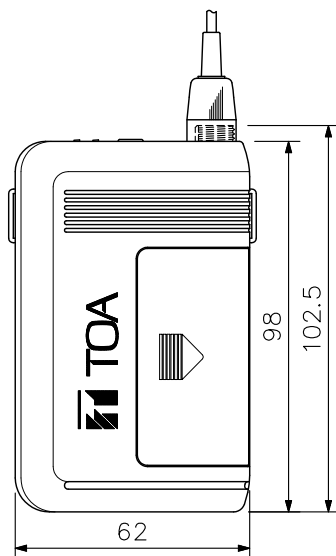
\*

Type	Frequency Range
A01	692 - 722 MHz, UHF
B01, B02	722 - 752 MHz, UHF
C01 - C07	794 - 830 MHz, UHF
D01 - D05	830 - 865 MHz, UHF
E01	668 - 698 MHz, UHF
F01	636 - 666 MHz, UHF

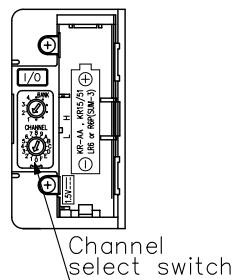
### APPEARANCE



Top View



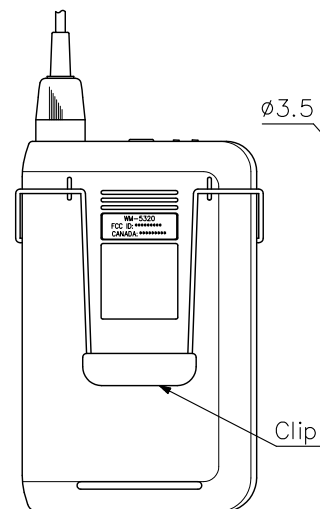
Front View



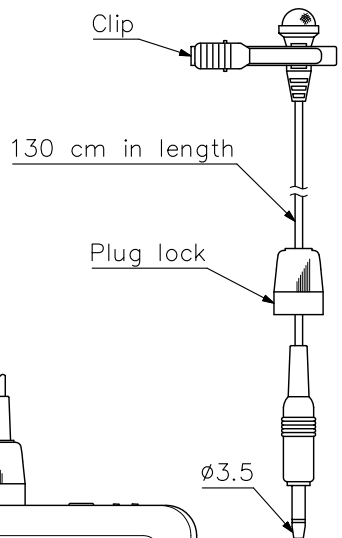
Inside of a battery cover



Side View



Rear View



UNIT: mm SCALE: 1/2