

### DESCRIPTION

The WS-5200 includes a handheld wireless microphone WM-5220 and a diversity tuner WT-5810. The WM-5220 Wireless Microphone employs an electret condenser microphone capsule and is suitable for any applications. Thanks to the PLL-synthesizer system, 64 different operating frequencies are made available. A high output power ensures stable radio signal transmission. The WT-5810 is a PLL-synthesizer controlled double superheterodyne diversity tuner designed to be used with a UHF wireless system. It employs a compander noise reduction circuit to minimize the influence of ambient RF noise.

### SPECIFICATIONS

Product Composition	Handheld wireless microphone WM-5220 ...1, Diversity tuner WT-5810 ...1
Frequency Range	636 - 865 MHz(*2), UHF
Tone Frequency	32.768 kHz
Operating Temperature	-10 °C to +50 °C
Accessory	AC adapter(*3) ...1, Screw driver ...1, Microphone holder (with stand adapter) ...1, Storage case ...1

#### Wireless microphone

Microphone Element	Electret condenser microphone unit: Cardioid
Modulation	Frequency modulation
Channel Selectable	64 channels
RF Carrier Power	50 mW or less
Oscillator	PLL synthesized
Maximum Input Level	126 dB SPL
Maximum Deviation	±40 kHz
Audio Frequency Response	100 Hz - 15 kHz
Battery	LR6 (AA)
Battery Life	10 hours or more (alkaline)
Indicator	Power/Battery lamps
Antenna	Built-in type
Finish	Resin, rubber coating
Dimensions	∅43.6 × 231.5 mm
Weight	180 g (with battery)

#### Wireless tuner

(\*1) 0 dB = 1 V

Power Source	AC mains (supplied AC adapter must be used)
Power Consumption	130 mA (12 V DC)
Channel Selectable	16 channels
Receiving System	Double super-heterodyne
Diversity System	Space diversity
Mixing Output	MIC: -60 dB(*1), 600 Ω, balanced, XLR-3-31 type connector LINE: -20 dB(*1), 600 Ω, unbalanced, phone jack
Mixing Input	-20 dB(*1), 10 kΩ, unbalanced, phone jack
Antenna	Rod antenna
Receiving Sensitivity	90 dB or more, Signal to Noise ratio (20 dBμV input, 40 kHz deviation)
Squelch Sensitivity	18 - 40 dBμV variable
Squelch System	Using together of noise SQ, carrier SQ and tone SQ
Indicator	ANT A/B, Audio (peak), Battery alarm, Channel number
Channel Check	Usable frequencies scanning
Signal to Noise Ratio	104 dB or more (A-weight, unbalanced output)
Harmonic Distortion	1 % or less (typical)
Frequency Response	100 Hz - 15 kHz, ±3 dB
Finish	Resin, black
Dimensions	206 (W) × 40.6 (H) × 152.7 (D) mm (excluding antenna)
Weight	590 g

(\*2)

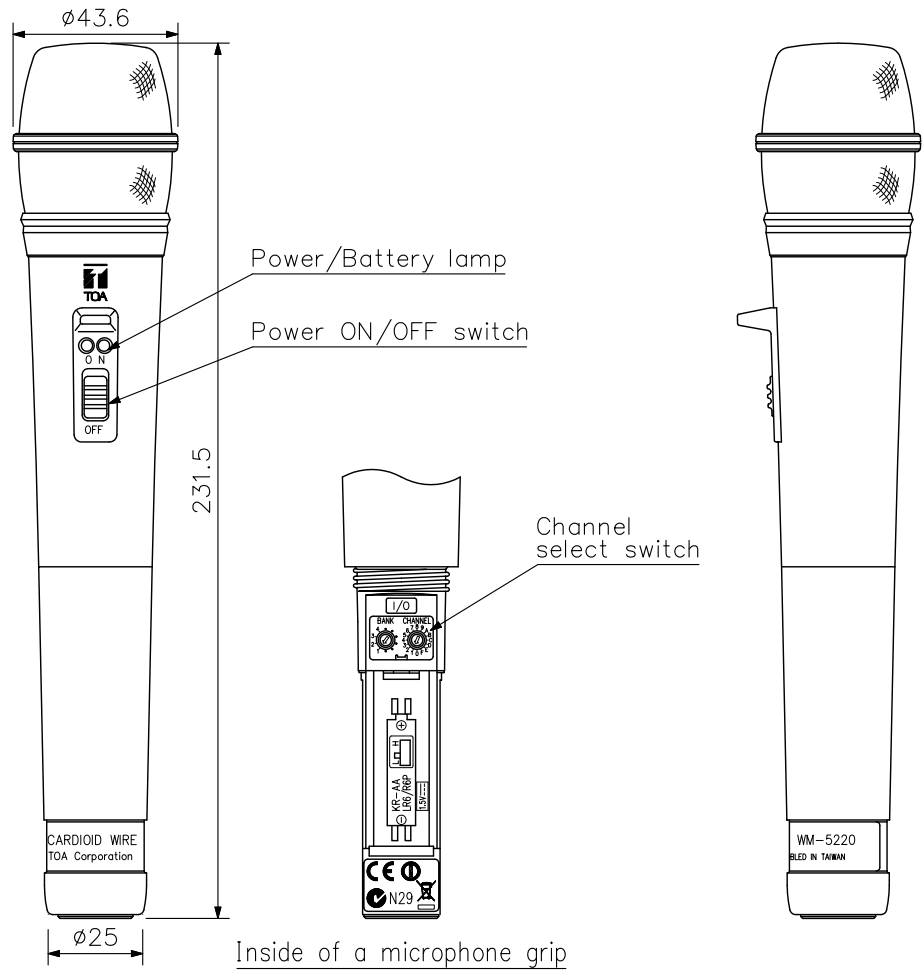
Type	Frequency Range
A01	692 - 722 MHz, UHF
B01, B02	722 - 752 MHz, UHF
C01 - C07	794 - 830 MHz, UHF
D01 - D05	830 - 865 MHz, UHF
E01	668 - 698 MHz, UHF
F01	636 - 666 MHz, UHF

(\*3)

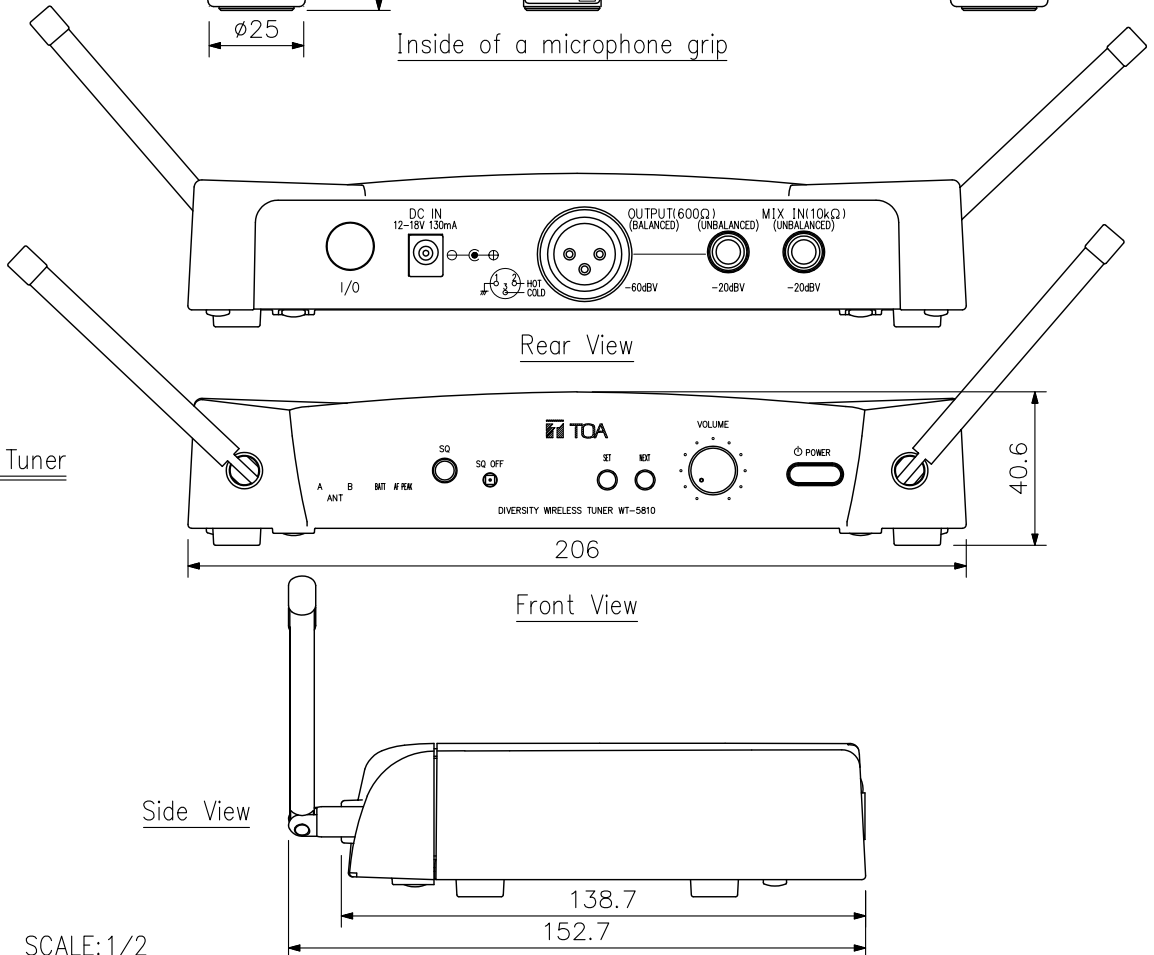
Type	AC Adapter
US	120 V AC, 60 Hz
CN	220 V AC, 50 Hz
ER, UK, AS	230 V AC, 50 Hz

Note: No AC adapter is supplied with the B02ER.

Wireless Microphone



Wireless Tuner



UNIT:mm SCALE:1/2