

DESCRIPTION

The MA-725F matrix amplifier performs matrix controls from 4 LINE plus 2 MIC/LINE level inputs to 4 output channels. Each output channel features 250W at 70V/100V class-D digital amplifier with 64 DSP preset selections for general equalizations, crossover for sub-woofer, or variety of TOA speakers' EQ settings. 2 MIC/LINE inputs have 1st and 2nd priority levels which can override at assigned output channels automatically or manually.

If connected with optional WP-700-AM wall remotes via CAT-5 cable, audio source selection and volume controls can be done remotely. All assignments and setups can be done by dip switches on its rear panel without a PC.

This unit fits a wide range of applications that require multi-zone paging and/or background music distribution at restaurants, pubs, retail stores, factories, etc.

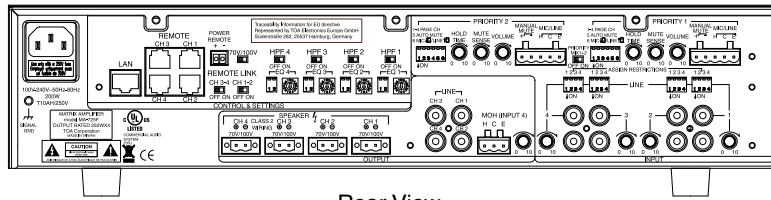
SPECIFICATIONS

(*0dB=1V)

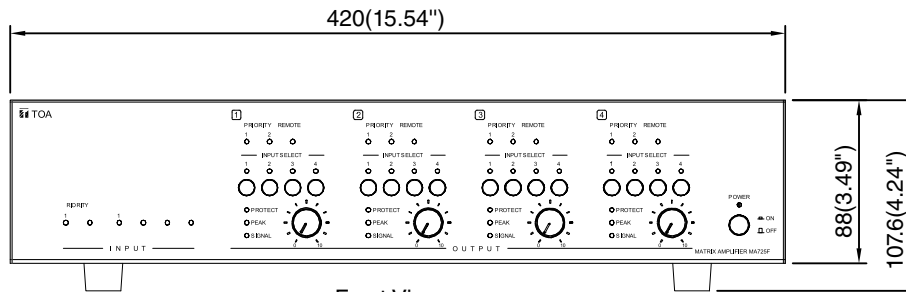
Power Source	100-240V AC,50/60Hz	
Power Consumption	1350W (rated output), 200W (based on cULus standards), 42.5W (idle), 22W or less (Stand-by)	
Frequency Response	20Hz-20kHz (-3dB/+1dB,LPF OFF)	
Total Harmonic Distortion	1% or less, at 1kHz, rated output	
Certification	cULus 60065, EN60065, EN55032, EN55020, FCC part15 class A	
Input	PRIORITY 1,2:	Mic -60dB*/Line -10dB* selectable, 2.2k Ω , electrically balanced, removable terminal block
	LINE IN 1,2,3,4:	-10dB*, 10k Ω , unbalanced, 2 RCA jacks (Stereo summing)
Output	SPEAKER 1,2,3,4:	70V (20 Ω), 100V (40 Ω), removable terminal block
	LINE OUT 1,2,3,4:	0dB*, 600 Ω , unbalanced, RCA jack
	MOH:	0dB*, 600 Ω , transformer balanced, removable terminal block
DSP Preset	16 presets in 4 banks at each output channel, selectable	
S/N Ratio	Mic: 60 dB* or more, Line: 75dB* or more (A-weighted)	
Muting	Manual mute / Automatic mute	
Mute Hold Time	50ms - 10 seconds, adjustable	
Priority Level	PRIORITY 1 > PRIORITY 2 > LINE 1,2,3,4	
Control	POWER:	ON/OFF switch, Power remote terminal
	PRIORITY 1,2:	MIC/LINE selector switch, Gain control, Assign switch, Auto mute switch, Mute sense control, Manual mute terminal, Mute hold time control, Priority mix switch
	LINE IN 1,2,3,4:	Gain control, Assign restriction switch
	OUTPUT 1,2,3,4:	LINE IN 1-4 selector switch, Output gain control, 70V/100V selector switch, HPF switch, DSP bank selector switch, DSP preset selector switch
	REMOTE 1,2,3,4:	Remote control connector (RJ-45), Remote link switch
Indicator	POWER:	1 Power LED
	PRIORITY 1,2:	1 Signal LED, 1 Peak LED
	LINE IN 1,2,3,4:	1 Signal LED, 1 Peak LED
	OUTPUT 1,2,3,4:	2 Activated PRIORITY LED, 1 Connected REMOTE LED, 4 Selected LINE LED 1 Signal LED, 1 Peak LED, 1 Protect LED
Operating Temperature	0°C to 40°C (32°F to 104°F)	
Operating Humidity	35% to 80%RH (no condensation)	

Finish	Panel: Aluminum, hair line, black Case: Steel plate, black, paint
Dimension	420(W) X 107.6(H) X 350(D) mm (16.54" X 4.24" X 13.78")
Weight	7.6kg (16.7 lbs.)
Accessories	Power cord (2m, 5.65ft.)...1, User's manual...1, Removable terminal plug (5pins...2, 3 pins...1, 2pins...4), Rack mounting bracket...2, Bracket mounting screw...4
Option	Remote controller: WP-700-AM

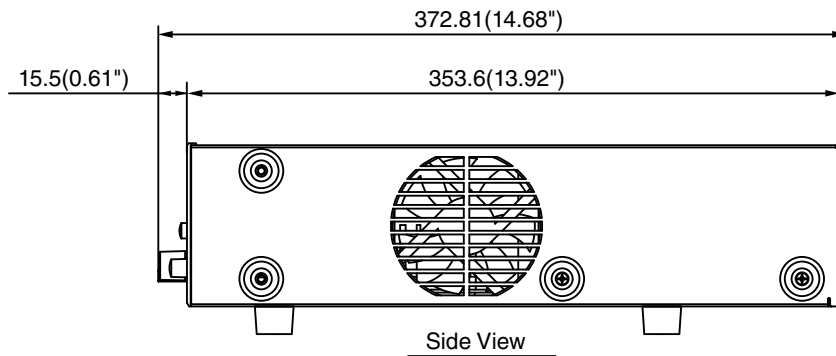
■ APPEARANCE



Rear View



Front View



Side View

Version	EB	AM
AC plug		

UNIT:mm SCALE:1/4