



Line Array Speaker Systems

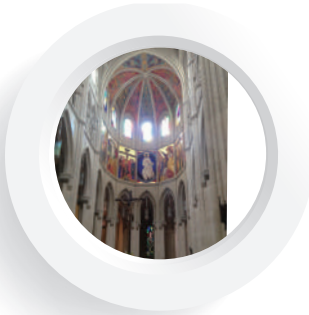
Type H / S / T5



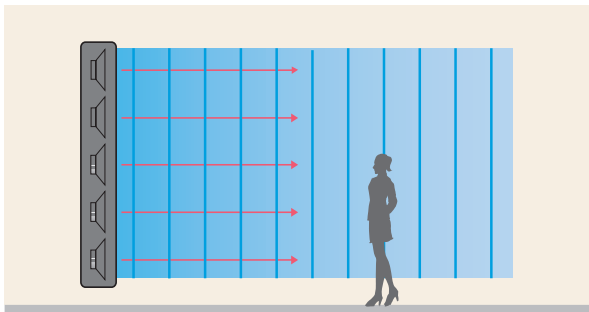
Slim Line Array Speakers with Clear,
Well-focused Sound Enhancement

Well-Focused Sound Enhancement

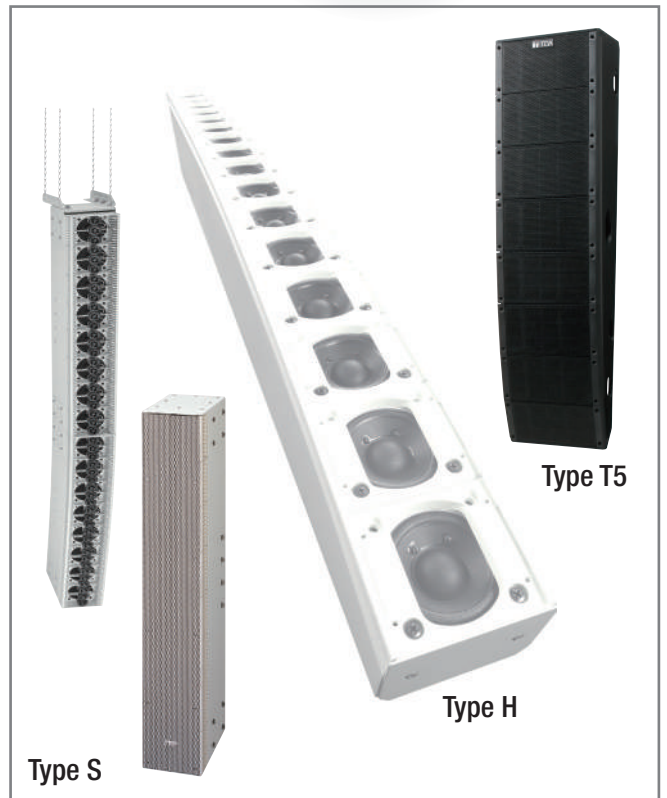
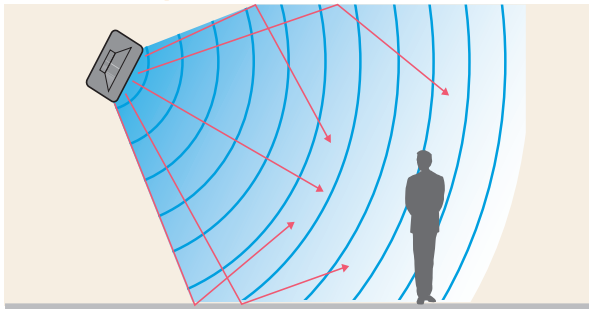
Among TOA's wide range of sound reinforcement products, Line Array Speaker Systems play an important role in providing high quality audio for various large and medium-sized venues ranging from houses of worship, conference centers to railway stations and airports or venues with highly reflective interior surfaces.



Line Array Speaker



Standard Speaker



Type S

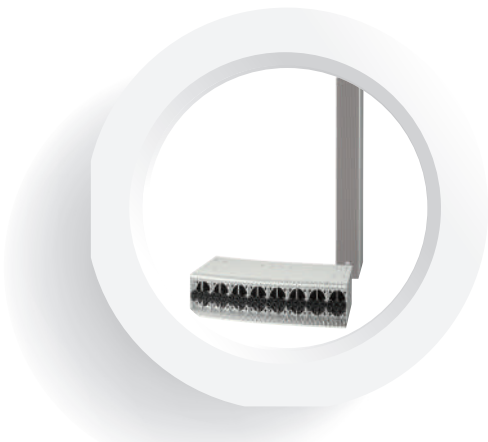
Type H

Type T5

Versatile Operational & Installation Features

TOA's Type S Line Array Speaker Systems are designed for permanent installations and are available in slim, tower configurations. It limits vertical sound dispersion in order to focus directivity at the targeted listening area.

The SR-S4L and SR-S4S are both 2-way line array speakers, each containing 32 speaker elements - 8 x 10cm woofers and 24 high frequency drivers. Driver units are installed vertically with minimal space between units in order to create a continuous linear sound source. This enables delivering of a uniform sound pressure that resists attenuation with distance.



Sound Dispersion Characteristics

- SR-S4L speaker features a linear design tailored for distance sound transmission applications.
- SR-S4S designed with a gentle curved line of a 10° vertical coverage area. Ideal for coverage over a shorter distance.

Multi-Speaker Array-Configurable

- Combine long and short throw speakers to realize a versatile speaker array that performs equally well in terms of sound cover and dispersion over short and long distances.
- Less difference in sound level is perceived whether close to or somewhat distant from the speakers, providing a uniform response.
- Adding additional long throw boxes provides a longer sound source that can deliver greater output as well as sound projection for a greater distance

Reflection-Free & Feedback Resistant

- The construction and characteristics of the speakers make them resistant to floor and ceiling originating reflections. This enhances clarity even in reverberant spaces and other problematic environments.
- Design of the speakers make them highly resistant to annoying feedback because volume levels are not extraordinarily high even close to the speakers and makes setting gain levels easier.

Bi-amp or Single Amp Drive

Bi-amping setting possible for Type S speakers by making a simple internal wiring change.

(*factory pre-set is for single amplifier driving)

- For optimal bi-amping, a digital signal processor can be employed to set crossover frequency points.

High Impedance Compatibility

- High impedance applications make possible by using the optional MT-S0601 matching transformer.

(This option is only possible when driving the speaker with single amplifier.)

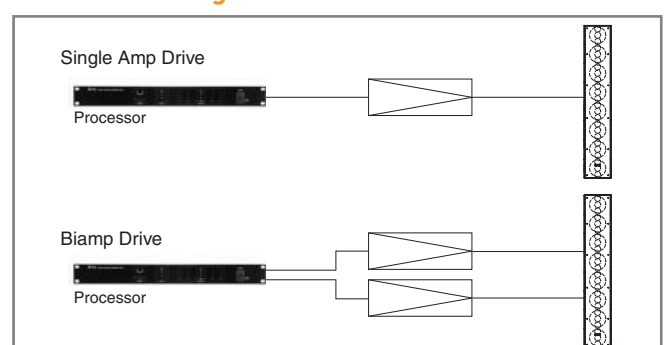


SR-S4L / SR-S4LWP



SR-S4S / SR-S4SWP

Connection Diagram



Slim & Stylish

Type H Line Array Speakers come with sound enhancement benefits such as clear sound, excellent directionality of focus on the listening area, and transmission of clear even sound over a distance, thanks to a low degree of sound attenuation.

These speakers are well-suited for medium-sized speech oriented applications where clear, uniformly dispersed sound that is audible at a distance is essential. Such as conference centers, houses of worship and railway stations, or venues with highly reflective interior surfaces.

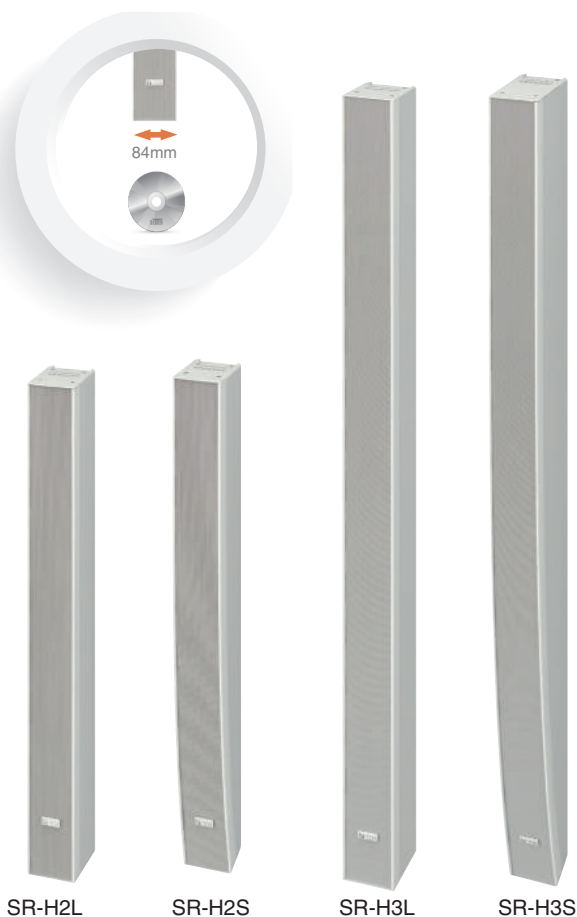
The Type H consists of four models, in short or long lengths and straight or curved variations. The short models contain 9 vertically connected 7-cm (2.8") fully range speaker units, while the taller long models come with 16 speaker units. Both lengths work to provide high quality sound even when an equalizer is not used.

The speaker units come in a slim energy-efficient and cost-effective design, with a body that is narrower than earlier versions, so they are well-suited to a wide range of venue interiors.



Outstanding Sound Quality

- Sync-Drive (Synchronous Nexus Control) technology keeps the audio in phase with its sources at the speakers to create an ideal linear sound source.
- Line array configuration of speakers works to produce clear sound with reduced attenuation over distance.
- Speakers are reflection-free and feedback resistant.
- Unique aperture front grille structure enhances the horizontal frequency vs. beam width response for more focused horizontal dispersion.
- Designed for optimally precise directivity of sound, especially vertical directivity. Audio dispersion can be more accurately focused at the targeted area.
- Curved speaker models rely on a hyper-clothoid concept curved array that ensures improved vertical dispersion.



Application Versatility

- Four available models, enabling extensive customization of the listening area..
 - Most applications are fully covered by no-extension (one cabinet) set-ups, but up to two units can be connected when an expanded vertical coverage area is suitable.
- *straight type only
- Attractive and narrow 84mm (3.31") design allows speakers to fit in well with the interior decor of the venue.
 - Optional mounting brackets allow gap-free installation of speakers on a wall, for an aesthetically pleasing appearance.

Space / Energy Efficient Design

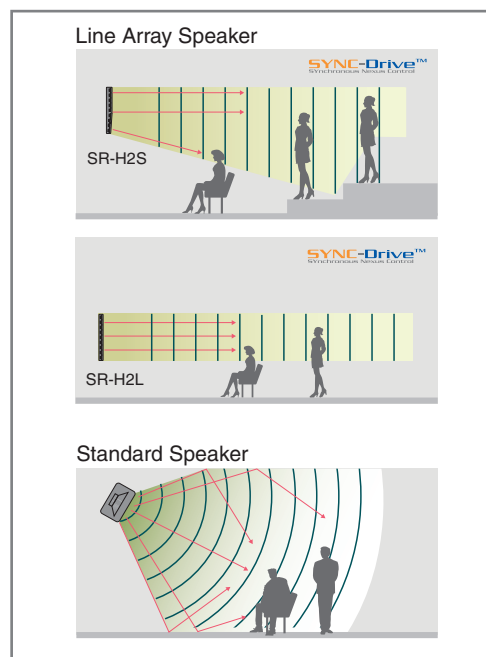
- Energy-efficient line array configuration requires less input power to deliver required output.
- High-quality sound reproduction even when an equalizer is not used.

(In some situations, equalization using a digital processor is recommended, so that Type H can best meet the specific demands of that application.)

- Fully effective operation is possible without additional amplification equipment, saving space and adding to the unit's cost effectiveness.

Easy & Flexible Installation

- A wide variety of optional brackets is available, for wall-mounting, rigging, and stand mounting.
- Removable input terminal connectors make hook-ups easier and less cumbersome.
- For high-impedance operation an optional matching transformer MT-S0301 is available.



Specifications

Type H	SR-H2L	SR-H2S	SR-H3L	SR-H3S
Enclosure	Bass-reflex type			
Power Handling Capacity	Continuous program: 180W		Continuous program: 360W	
Rated Impedance	8Ω (120W)			
Sensitivity	92dB (1W,1m equivalent, measured at 4m)	90dB (1W,1m equivalent, measured at 4m)	95dB (1W,1m equivalent, measured at 8m)	92dB (1W,1m equivalent, measured at 8m)
Frequency Response	80-18,000Hz (-10dB) (when equalized at recommended parameters)	90-17,000Hz (-10dB) (when equalized at recommended parameters)	110-18,000Hz (-10dB) (when equalized at recommended parameters)	90-17,000Hz (-10dB) (when equalized at recommended parameters)
Directivity Angle	Horizontal: 90° Vertical: 0° (within the range of speaker height)	Horizontal: 90° Vertical: 20°	Horizontal: 90° Vertical: 0° (within the range of speaker height)	Horizontal: 90° Vertical: 20°
Speaker Component	7cm (2.8") cone-type x 9		7cm (2.8") cone-type x 16	
Input Connector	Removable input connector			
Finish	Enclosure: MDF, white, urethane paint			
	Front Grille: Punched steel plate, white, acrylic paint			
Dimensions	84 (W) x 668.4 (H) x 115 (D) mm (3.31" x 26.31" x 4.53")	84 (W) x 663.4 (H) x 115 (D) mm (3.31" x 26.12" x 4.53")	84 (W) x 1186.4 (H) x 115 (D) mm (3.31" x 46.71" x 4.53")	84 (W) x 1177.2 (H) x 157 (D) mm (3.31" x 46.35" x 6.18")
Weight	4.4kg (9.7lb)	4.2kg (9.26lb)	7.6kg (16.75lb)	7.9kg (17.42lb)
Options	Extension plate: AR-EP3, Wall mounting bracket: SR-WB3, Wall tilt bracket: SR-TB3, Flying bracket: SR-FB3, Speaker stand adapter: SR-SA3 Matching transformer: MT-S0301			

Optional Accessories



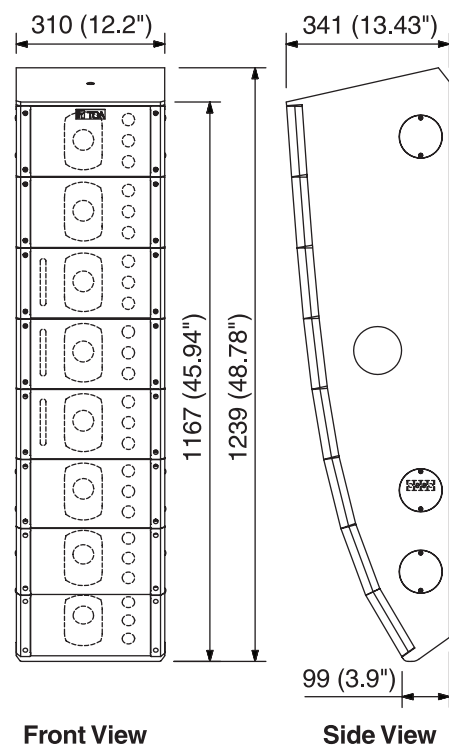
Sturdy Impact-Resistant Construction

The TOA SR-T5 is a 2-way line array speaker featuring 8 13cm (5.2") low frequency cones and 24 tweeters, in which the low and high frequency speaker units are arranged vertically within close proximity to each other. The curved vertical speaker arrangement covers the entire audience area from front to rear with uniform sound volume. Thanks to the excellent vertical coverage control, reflection of sound waves off the ceiling and walls is reduced, delivering clear sound without causing strain on the listeners' ears. The superb speech clarity and sturdy impact-resistant construction of the SR-T5 make it ideal for installations in sports facilities with strong reverberation, such as school gymnasiums, and with no additional protector grille required.



Features

- Uniform sound volume and clear audio output
- Internal two-way passive crossover network circuitry for single-amplifier operation.
- Speaker's downward angle adjustable with accessory mounting bracket.
- Horizontal angle adjustment in conjunction with optional SR-PB5 Wall Pan Bracket.
- Optional MT-S0601 Matching Transformer for use in high-impedance applications.
- Safety wire supplied to prevent the speaker from falling during installation work and after installation




Specifications

Type T

SR-T5

Enclosure	Bass-reflex type
Power Handling Capacity	Continuous pink noise: 250W, Continuous program: 750W
Rated Impedance	8Ω
Sensitivity	96dB (1W, 1m equivalent, measured at 4m (13.12ft))
Frequency Response	70-20,000Hz
Directivity Angle	Horizontal: 100°, Vertical: 35°
Speaker Component	Low frequency: 13cm (5.12") cone-type x 8 High frequency: Balanced dome type x 24
Recommended Installation Height	4 - 5.5m (13.12 - 18.04 ft) (Speaker top, when installed in sport facilities 30m (98.43ft) in length)
Adjustable Angle Range	Downward: 0°, 1°, 2°, 3° (when the supplied mounting bracket is used) Horizontal (left or right): 5°, 10° (when the optional SR-PB5 Wall Pan Bracket is used)
Input Terminal	M5 screw terminal, distance between barriers: 12.2mm (0.48")
Finish	Enclosure: Plywood, black, urethane paint Baffle: Polypropylene, black Punched net: Steel plate, black, acrylic paint Mounting bracket: Steel plate, black, acrylic paint
Dimensions	310 (W) x 1,239 (H) x 341 (D) mm, (12.2" x 48.78" x 13.43")
Weight	29 kg (63.93lb) (including accessories)
Accessories	Mounting bracket A x 1, Mounting bracket B x 1, Bracket mounting bolt x 6, Side cover x 5, Side cover mounting screw x 10, Eye bolt x 1, Safety wire x 1
Options	Wall Pan Bracket: SR-PB5 Matching transformer: MT-S0601

Optional Accessories





SR-PB5
Wall Pan Bracket

Adjustable Angle Range: Horizontal (Left or Right): 5°, 10°

Finish: Steel plate, black, paint

Weight: 4.1kg (9.04lb) (including accessories)





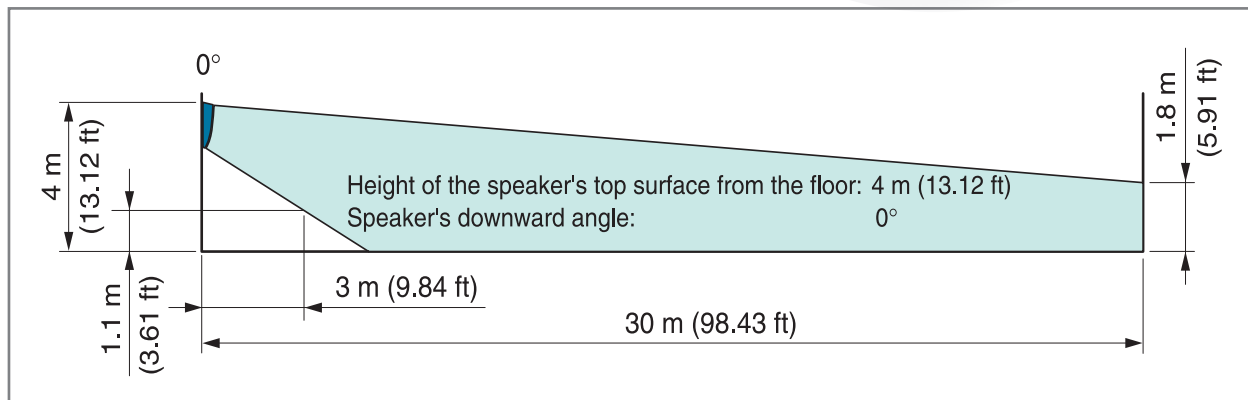
MT-S0601
Matching Transformer

Rated Input Power: 60W

Input Impedance: 100V Line: 170Ω (60W), 330Ω (30W), 670Ω (15W)
70V Line: 83Ω (60W), 170Ω (30W), 330Ω (15W), 670Ω (7.5W)

Output Impedance: 8Ω

Weight: 1.2kg (2.65lb)



Specifications

Type S	SR-S4L	SR-S4LWP	SR-S4S	SR-S4SWP
Enclosure	Bass-reflex type	Sealed type	Bass-reflex type	Sealed type
Power Handling Capacity	Continuous program: 600W			
Rated Impedance	8Ω			
Sensitivity	94dB (1W, 1m)		93dB (1W, 1m)	
Frequency Response	70-20,000Hz (when using the optional DP-SP3)			
Crossover Frequency	3,500Hz			
Directivity Angle	Horizontal: 90° Vertical: 0° (within the range of speaker height)		Horizontal: 90° Vertical: 10°	
Speaker Component	Low frequency: 10cm (3.93") cone-type x 8 High frequency: 2.5cm (0.98") balanced dome-type x 24			
Input Connector	M5 screw terminal, distance between barriers: 12.2mm and Neutrik NL4MP x 2	-	M5 screw terminal, distance between barriers: 12.2mm and Neutrik NL4MP x 2	-
Connected Cable	-	Direct cable withdrawal from internal speaker: ø8.6mm, conductor cross section: 1.25mm², 4-cone cable, 3m	-	Direct cable withdrawal from internal speaker: ø8.6mm, conductor cross section: 1.25mm², 4-cone cable, 3m
Water Protection	-	IPX4	-	IPX4
Finish	Enclosure: MDF, white, paint Front Grille: Punched steel plate, white, acrylic paint	Plywood, white, urethane coating Punched stainless steel (SUS304) white, paint	MDF, white paint Punched steel plate, white, acrylic paint	Plywood, white, urethane coating Punched stainless steel (SUS304) white, paint
Dimensions	160 (W) x 895 (H) x 255 (D) mm (6.29" x 35.24" x 10.04")		160 (W) x 892 (H) x 303 (D) mm (6.29" x 35.12" x 11.93")	
Weight	16kg (35.27lb)			
Accessory	Bi-amplifier drive rating label x 1, Bi-amplifier drive input indication label x 1			
Options	Matching transformer: MT-S0601 Extension plate: SR-EP4 Flying bracket: SR-FB4 Wall mounting bracket: SR-WB4 Wall tilt bracket: SR-TB4 Stand adapter: SR-SA4 Protection pad: SR-PP4 Floor stand: SR-FS4 Digital processor: SP-SP3	Matching transformer: MT-S0601 Extension plate: SR-EP4WP Wall mounting bracket: SR-WB4WP Wall tilt bracket: SR-TB4WP Protection pad: SR-PP4 Digital processor: SP-SP3	Matching transformer: MT-S0601 Extension plate: SR-EP4 Flying bracket: SR-FB4 Wall tilt bracket: SR-TB4 Stand adapter: SR-SA4 Protection pad: SR-PP4 Digital processor: SP-SP3	Matching transformer: MT-S0601 Extension plate: SR-EP4WP Wall tilt bracket: SR-TB4WP Protection pad: SR-PP4 Digital processor: SP-SP3

Optional Accessories



TOA Canada Corporation

www.TOAcanda.com

sales@toacanada.com