



UHF WIRELESS MICROPHONE SYSTEMS



COOKBOOK

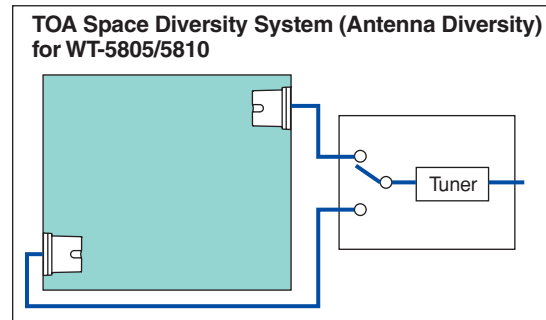
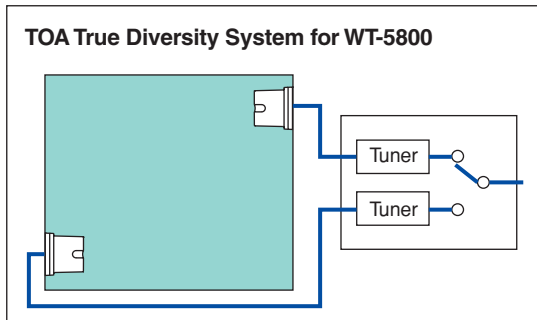
General System Features

TOA has added a new dimension of convenience to the 5000 Series wireless microphone system, with battery recharging capabilities that offer cost-reduction and environmentally friendly benefits. In addition to its high performance, the 5000 Series can be configured to suit a diverse range of applications. The Series lineup now consists of microphones operating on a single battery, as well as microphones and a transmitter powered by rechargeable batteries. Battery chargers have also been added, for use with TOA-exclusive batteries. The chargers are available in different capacities, while the transmitter is now a standalone unit, to allow users to select the type of microphone best suited to their needs. The WT-5100 receiver, a new addition to the 5000 Series, expands the range of applications, including museums, conferences and theaters, and enhances the Series' versatility and usability.

- A wide choice of microphones is provided, from handheld to lavalier and headset units.
- The standalone transmitter unit allows users to combine it with the microphone unit most suited to their particular needs.
- Battery chargers, which charge TOA-exclusive batteries, are available in 2-, 6- and 12-battery charging capacities.
- A TOA-exclusive rechargeable battery enables up to 13 hours of operation from a single charging

TOA Wireless System Technology

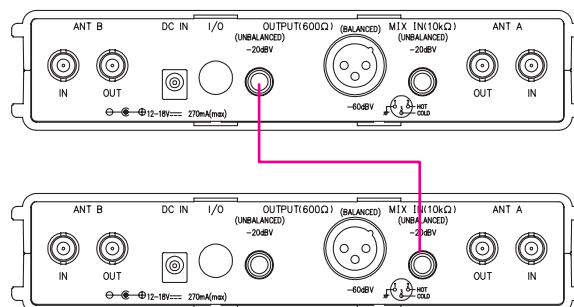
- TOA's proprietary true diversity and space diversity technologies and algorithms provide constant area coverage. Overall performance and reliability are also enhanced through TOA's simpler and more effective circuitry compared to conventional diversity tuners.



What is the "diversity reception" system?

Some radio signals transmitted from a wireless microphone reach the receiving antenna directly, while others are first reflected off walls and floors before being received. When the strength of these two arriving radio signals is nearly identical and they happen to be 180° out of phase, they may cancel each other out, resulting in reception dead spots. The "diversity reception" system employs a receiving method that eliminates such dead spots.

- Carrier squelch function automatically mutes output when the incoming signal strength goes below a settable signal strength level to prevent annoying noise.
- Microphone sensitivity control allows adjusting the input level to suit the user's voice level and to prevent overloading or distortion.
- Auto mixing input function makes it possible to connect one unit's AF input to the AF output of another unit.



- Usable frequencies scanning and vacant channel search function.
- Comander circuitry works to minimize ambient noise.

TOA Wireless System Technology

- Up to 16 microphones can be used in the same area without interference problems.



To reduce interference:

- New parts and construction have been used to improve immunity to interference. The anti-interference characteristics of high-frequency circuits have been improved.
 - A single balanced mixer circuit enhances the anti-interference characteristics of high-frequency circuits.
 - Diversity reception is used.
 - The system is equipped with volume control, squelch functions (carrier, noise, tone), and frequency-scanning channel searching.
- A wide operating range allows microphones to be used up to a maximum of 120 meters distance from the tuner units.
(In areas where a reasonably good direct line of sight can be established, i.e. where there are no major obstacles to radio signal transmission.)



- Extended battery life: over 10 hours of continuous use at average temperatures.
- Single battery operation for reduced size and weight.

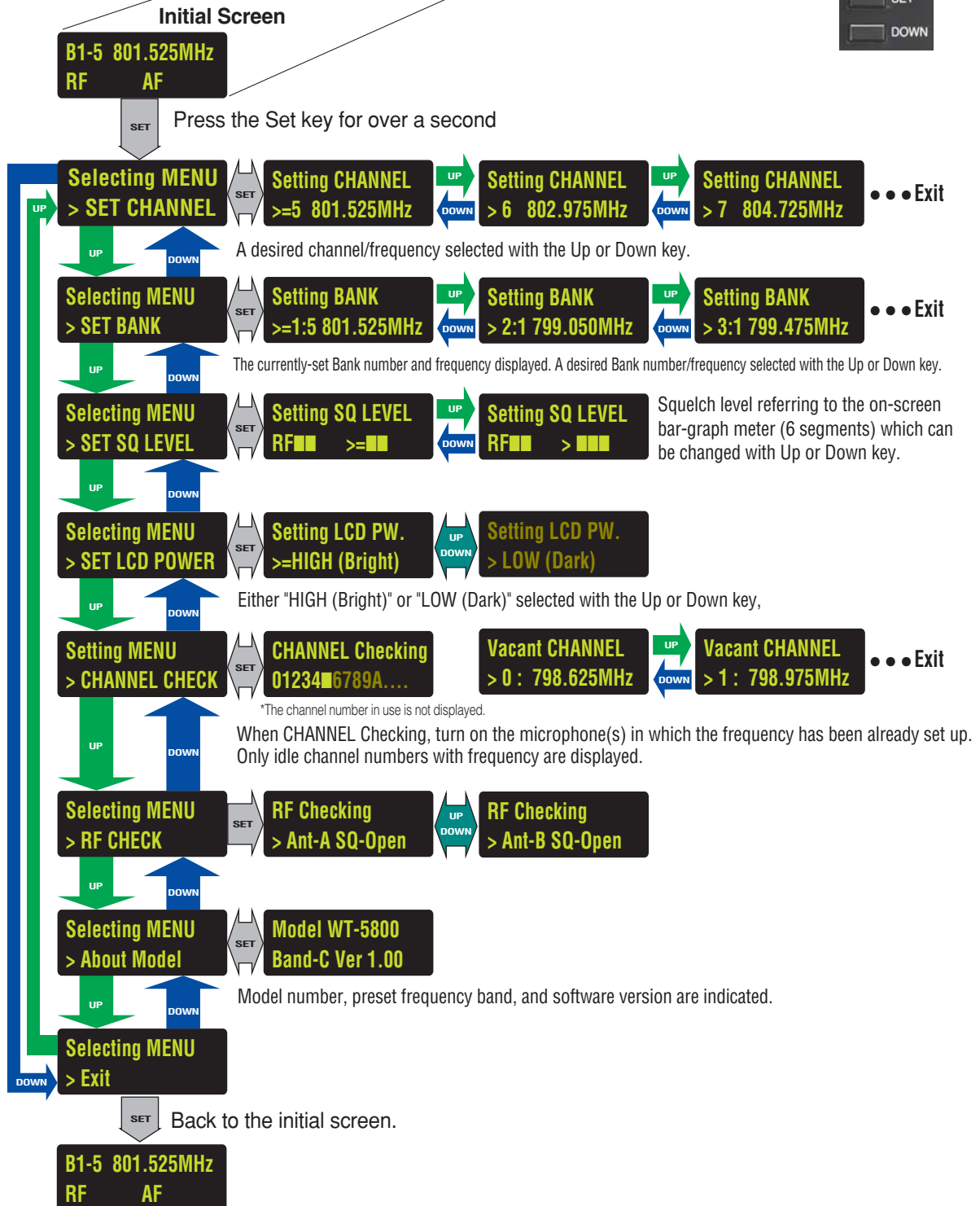
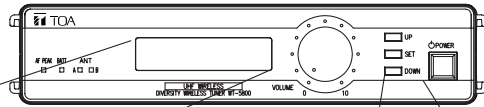
Microphone movement range

- Keep each microphone at least 0.5 meter away from other microphones.
- Keep each microphone at least 3 meters away from antennas.

Antenna installation

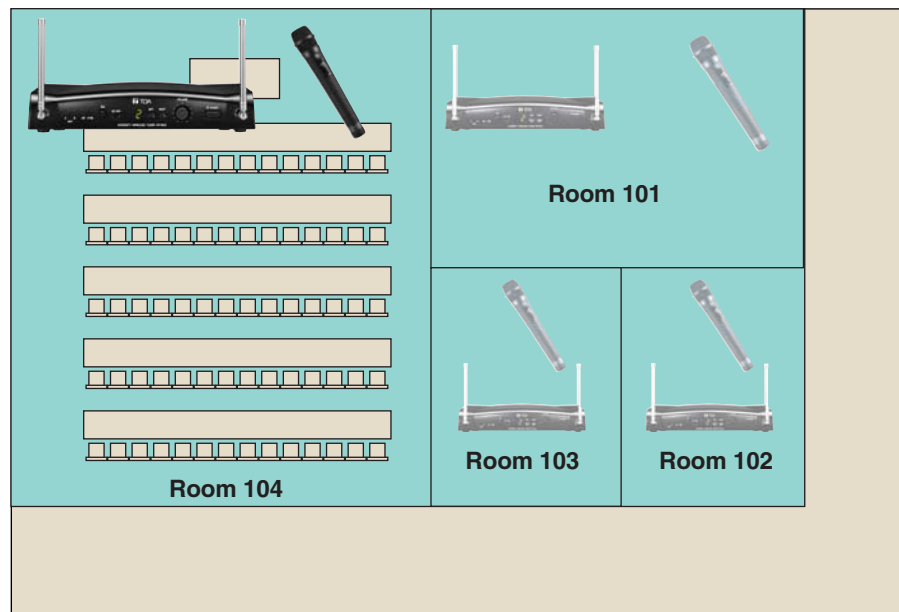
- Be sure to connect at least one antenna to each of the antenna inputs A and B. Install antennas so that the distance between them is at least 1 meter, for example, by placing them on opposite sides of the room.

Indicator (WT-5800/5805)

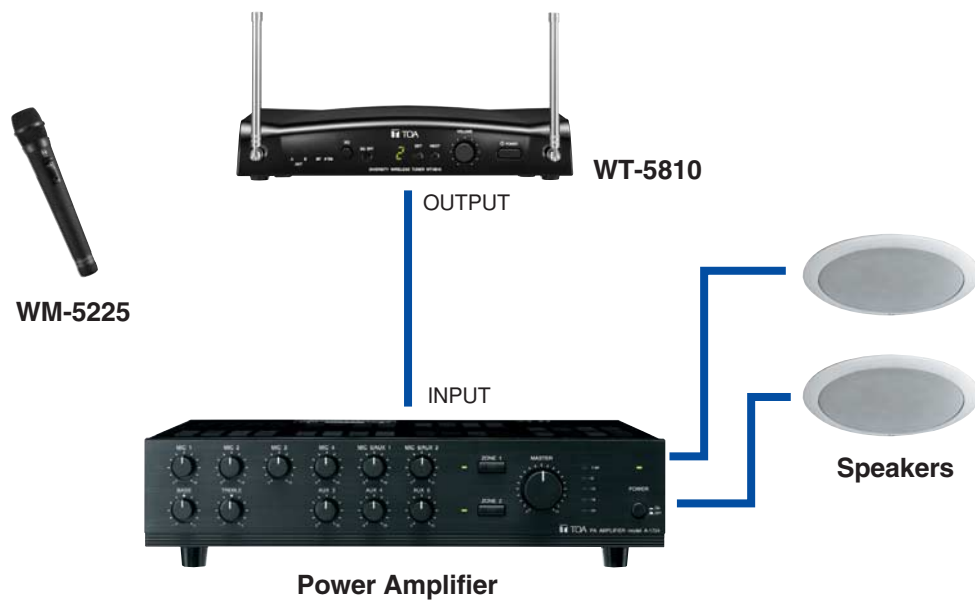


Classroom

- An example with WT-5810

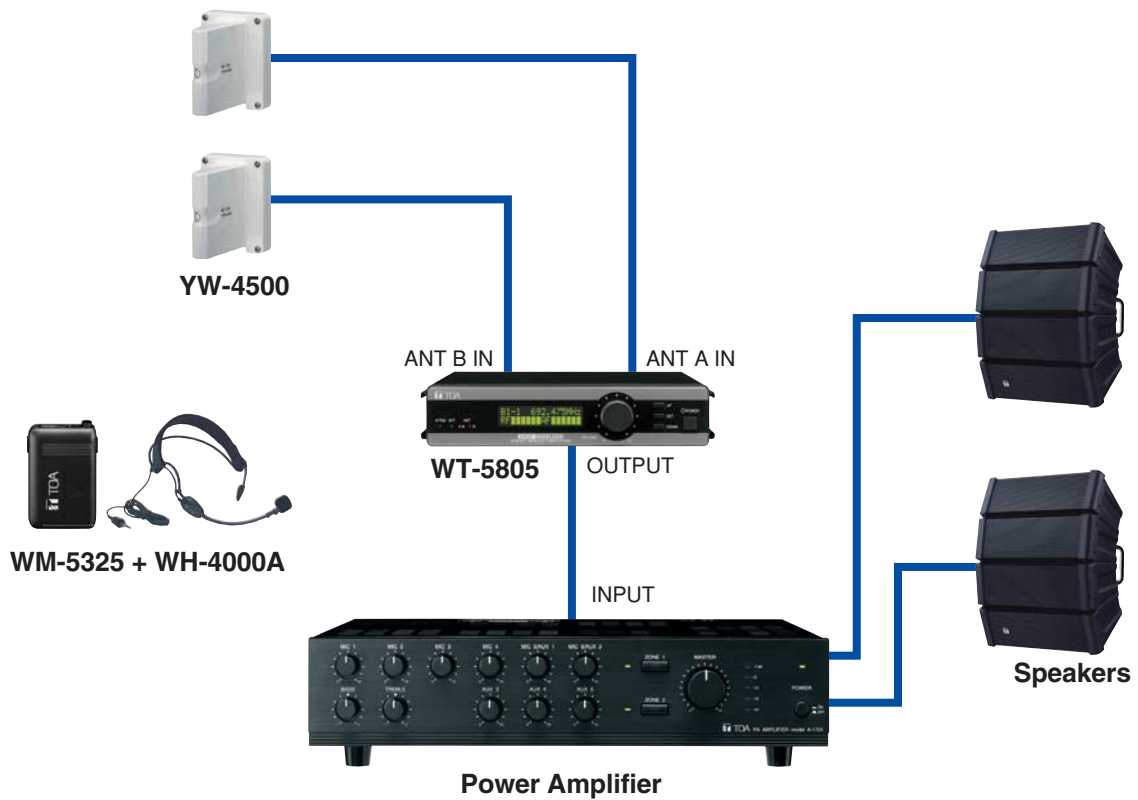
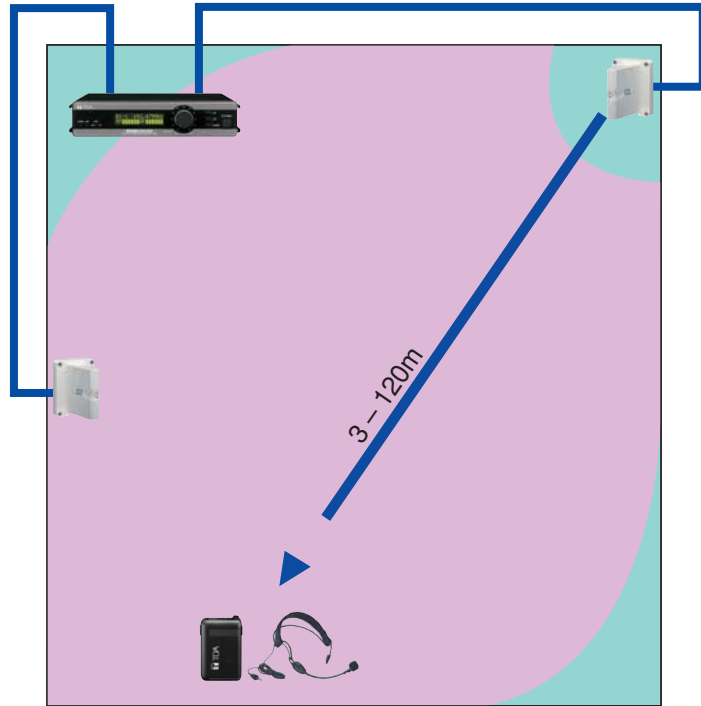


Caution: Please set difference frequency in each room to prevent interference.



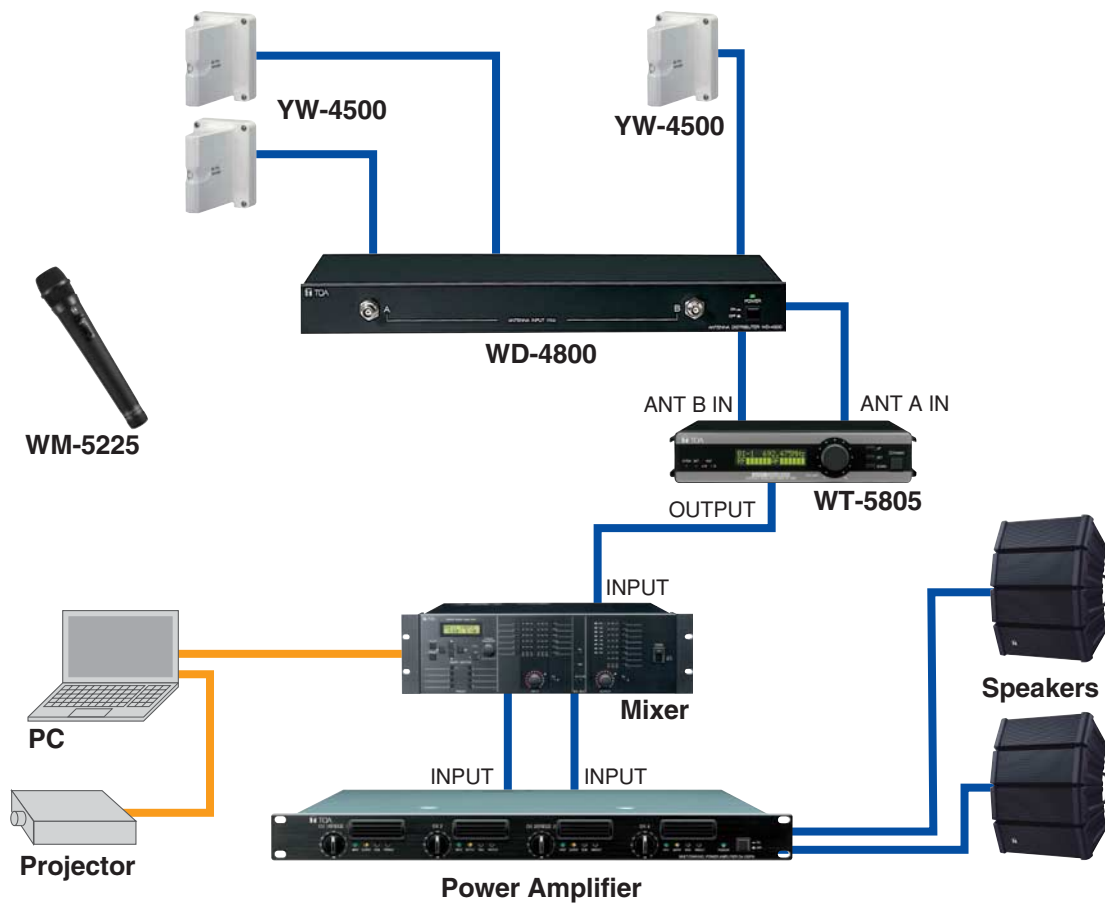
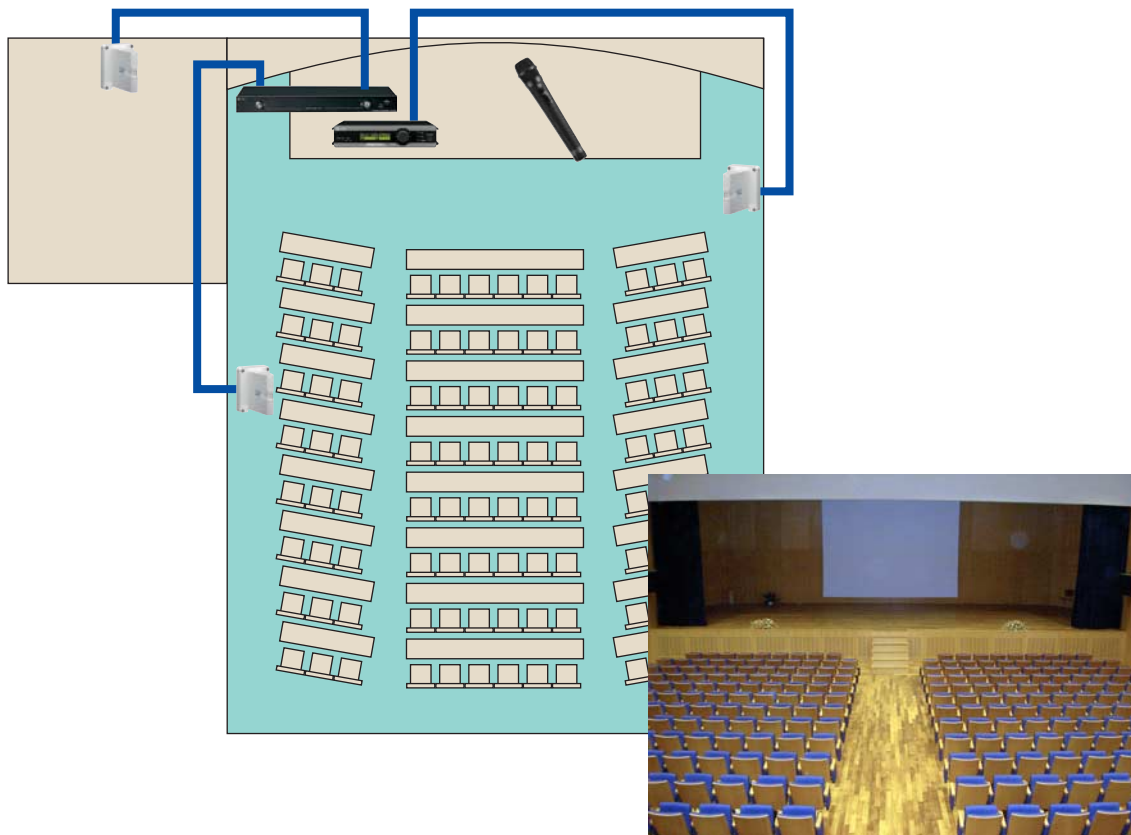
Gymnasium

- An example with WT-5805



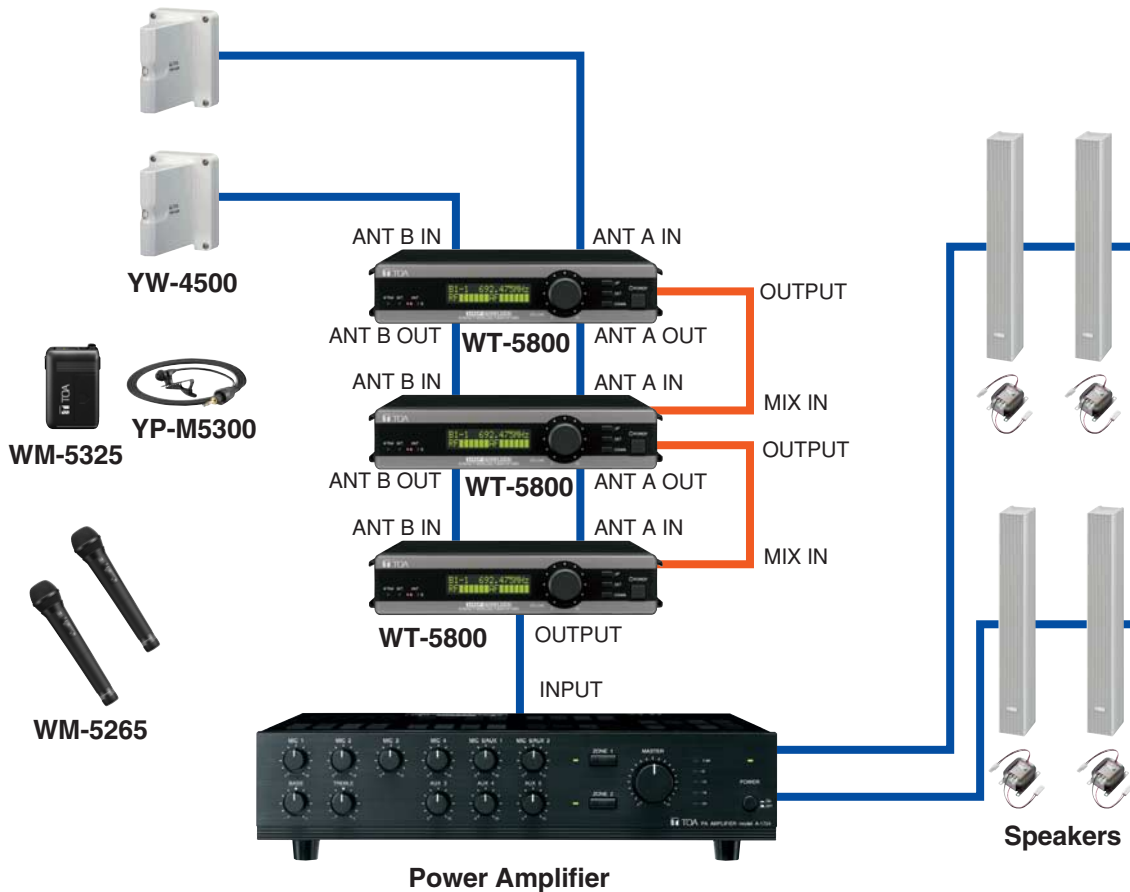
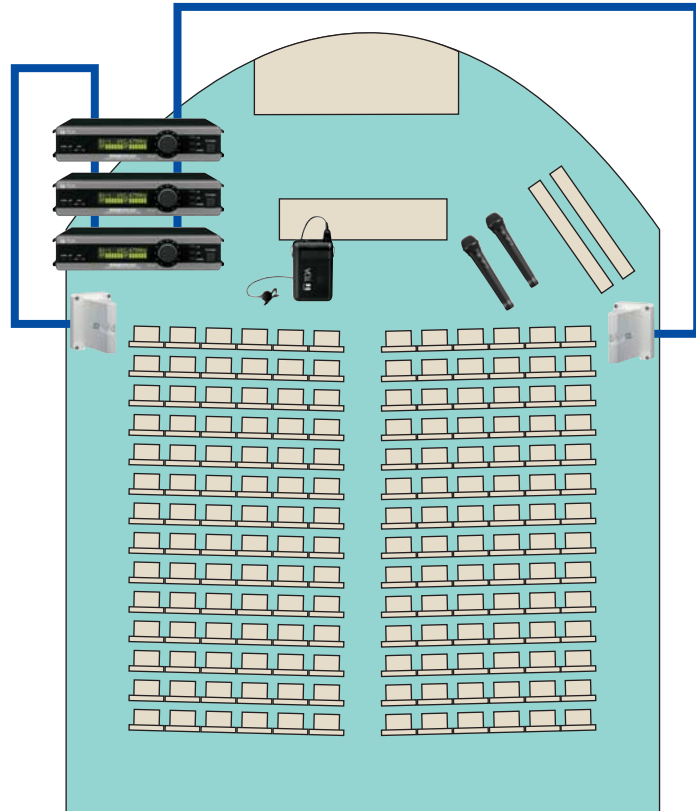
Auditorium

- An example with WT-5805



House of Worship

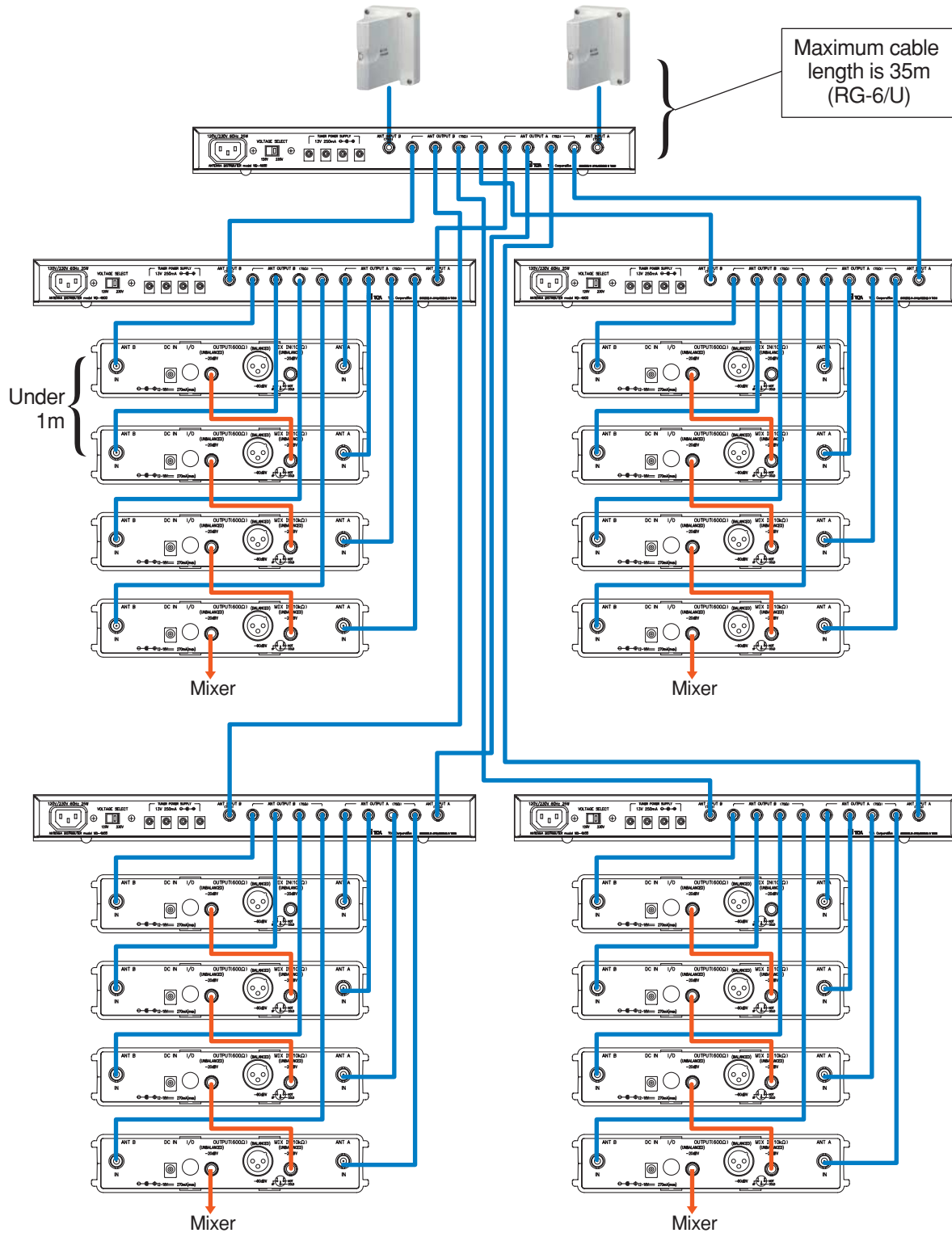
- An example with WT-5800



MAXIMUM CONFIGURATION

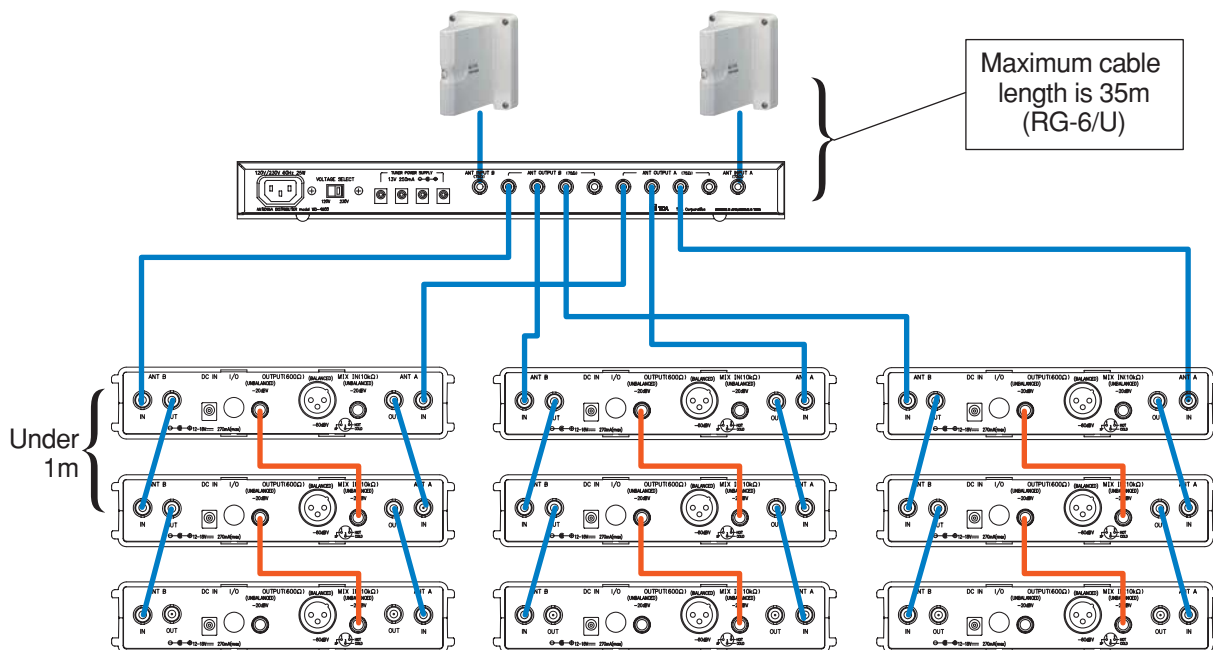
Simultaneous use of WT-5805 + WD-4800

- Using the WD-4800, a system allowing simultaneous use of up to 16 separate channels can be configured.



Simultaneous use of WT-5800

- The WT-5800 comes with an antenna input and output. Using these terminals, wireless tuners can share a set of antennas.

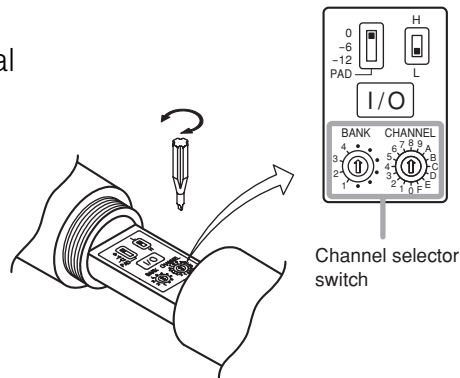


* the antenna loop outputs should only be used for a maximum of two other receivers.

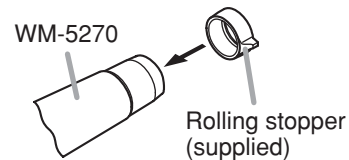
Hand Held (Vocal) Wireless Microphone



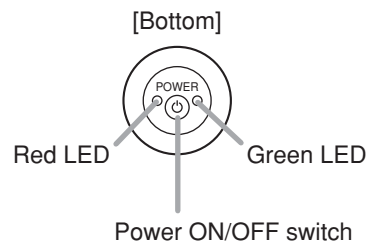
- Operating range: 3m - 120m
- Dynamic microphone unit; Unidirectional
- Four 16 channel banks



- Input sensitivity control included
- Maximum input level: 139 – 142 dB SPL
- Rolling stopper prevents the microphone from rolling



- Single AA battery operation for more compact and lightweight body
- Low-battery indicator (When the battery capacity becomes low, the green LED of the Power/Battery lamps starts to dim, while the red LED to light.)

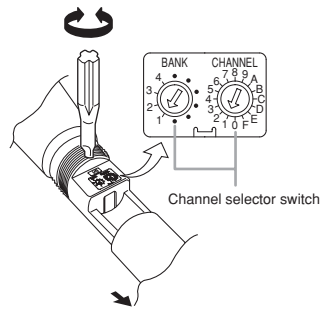


- Built-in antenna

Hand Held (Vocal) Wireless Microphone



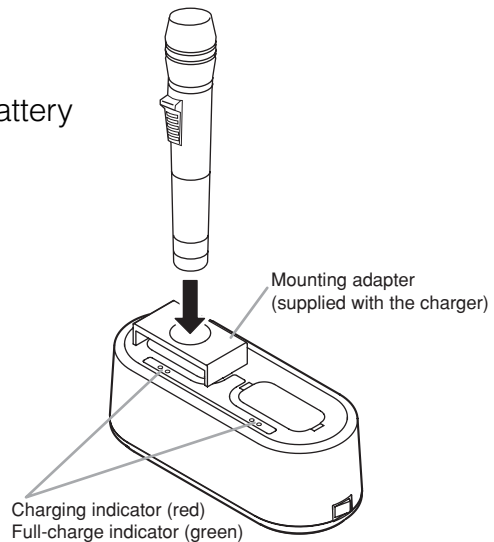
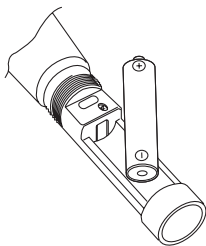
- Operating range: 3m - 120m
- Dynamic microphone unit; Unidirectional
- Four 16 channel banks



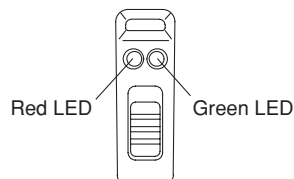
- Maximum input level: 132 dB SPL
- ON/OFF switch prevents the microphone from rolling



- WB-2000 rechargable battery or Single AA battery operation for compact and lightweight body



- Low-battery indicator(Sufficient power/Green, Low battery/Dimming green, Empty/Red)

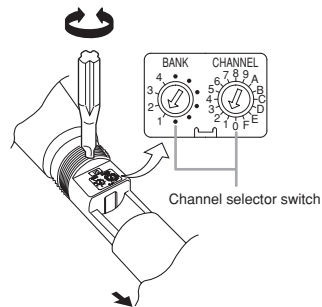


- Built-in antenna

Hand Held (Speech) Wireless Microphone



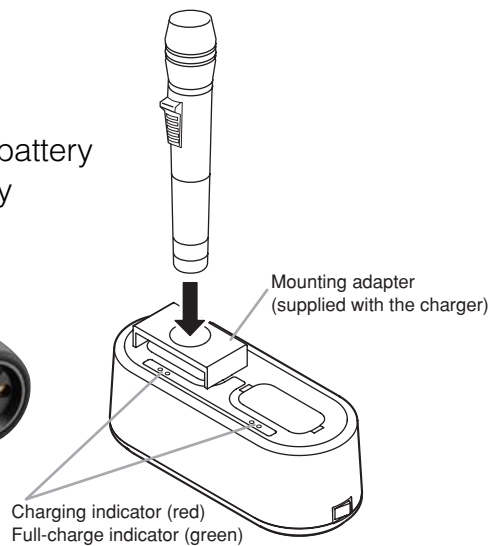
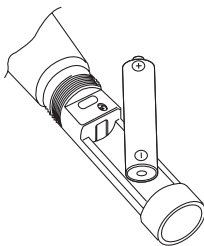
- Operating range: 3m - 120m
- Dynamic microphone unit; Unidirectional
- Four 16 channel banks



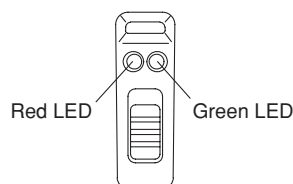
- Maximum input level: 126 dB SPL
- ON/OFF switch prevents the microphone from rolling



- WB-2000 rechargable battery or Single AA battery operation for compact and lightweight body



- Low-battery indicator(Sufficient power/Green, Low battery/Dimming green, Empty/Red)

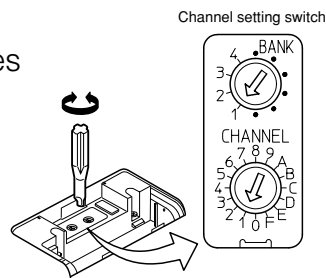


- Built-in antenna

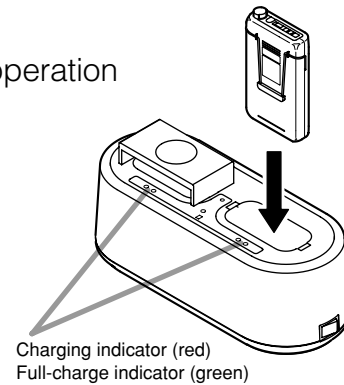
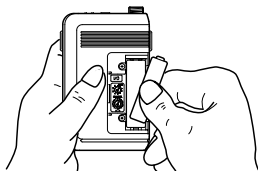
Wireless Transmitter



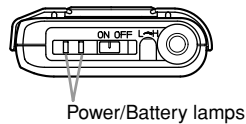
- Operating range: 3m – 120m
- Four 16-channel banks of circuit frequencies



- Built-in circuitry minimizes ambient noise effects
- WB-2000 rechargeable battery or Single AA battery operation for compact and lightweight body

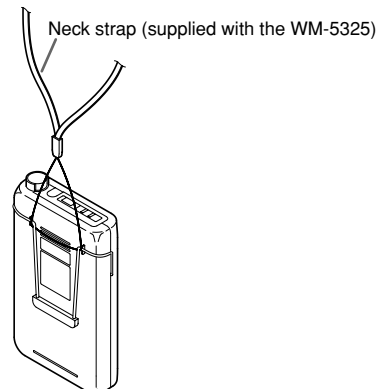


- Low-battery indicator (Sufficient power/Green, Low battery/Dimming green, Empty/Red)



- Connector for 3.5 mini-plugs
- Built-in antenna
- Neck strap is provided

Neck strap attachment



Lavalier Microphones



YP-M5300

- Unidirectional electret condenser microphone element
- Maximum input level: 120 dB SPL
- Connector for 3.5 mini-plug
- Weight: 20 g



YP-M5310

- Omnidirectional electret condenser microphone element
- Maximum input level: 110 dB SPL
- Connector for 3.5 mini-plug
- Weight: 20 g

Headset Microphones

- Unidirectional electret condenser microphone element
- Maximum input level: 120 dB SPL
- Connector for 3.5 mini-plug
- Secure and comfortably fitting headset
- Weight: 50 g

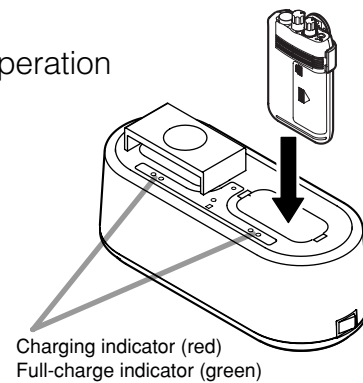


- Unidirectional electret condenser microphone element
- Maximum input level: 120 dB SPL
- Connector for 3.5 mini-plug
- Extra-secure and comfortably-fitting headset
- Weight: 50 g

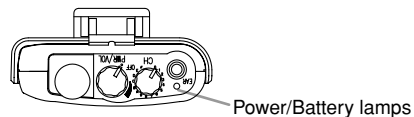
Wireless Receiver



- Commercial earphones can also be used ($\varnothing 3.5$ mm, impedance: over 16Ω).
- Allows up to 16 different frequencies to be received by selection.
- An optimized PLL-synthesizer minimizes the oscillation frequency drift resulting from the ambient temperature or voltage fluctuation.
- WB-2000 rechargeable battery or Single AA battery operation for compact and lightweight body



- Low-battery indicator (Sufficient power/Green, Low battery/Dimming green, Empty/Red)

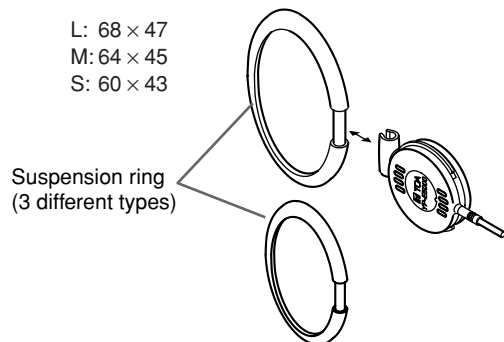


- Built-in antenna
- Neck strap is provided

Assist Earphone/Ear-suspension Earphone



- Dynamic type
- Frequency Response: 300Hz – 15k Hz
- When employed with the WT-5100 wireless receiver, improves audibility for hearing impaired users by raising the frequency response above the standard level.
- Terminal: \varnothing 3.5 mm plug (16 Ω)
- Three different sizes are more available for the suspension ring.



- Dynamic type
- Frequency Response: 300Hz – 15k Hz
- Terminal: \varnothing 3.5 mm monaural plug (16 Ω)
- Three different sizes are more available for the suspension ring.

Battery Chargers



BC-5000-12

- Work with the optional AD-5000-6 AC Adapter
- Fully charged within 3 hours



BC-5000-6

- Work with the optional AD-5000-6 AC Adapter
- Fully charged within 3 hours



BC-5000-2

- Work with the optional AD-5000-2 AC Adapter
- Fully charged within 3 hours

AC Adapter and Battery

AD-5000-6



- Work with the BC-5000-6 or BC-5000-12 Battery Chargers
- Power Source: 100 – 240V AC

AD-5000-2



- Work with the BC-5000-2 Battery Charger
- Power Source: 100 – 240V AC

WB-2000-2



- AA nickel-metal hydride (Ni-MH) rechargeable battery
- For the WM-5265 and WM-5225 Wireless Microphones, WM-5325 Wireless Transmitter, and WT-5100 Potable Receiver,

Optional Accessories



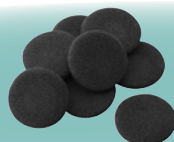
WH-4000P

- The WH-4000P is a waist pouch to house a wireless microphone unit. Its elastic belt helps the pouch fit to your waist.
- Length: 800mm (31.5") (1300mm (51.18") at full extension)



WH-4000S

- The WH-4000S is a replacement windscreen set used exclusively for the Headset Microphone.
- It contains 10 pieces of Windscreens.



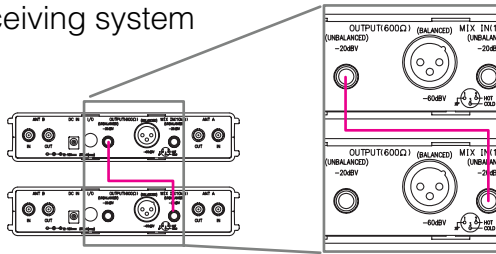
YP-E401PAD01

- The YP-E401PAD01 is a replacement ear pad set used exclusively for the YP-E5000 Earphone.
- It contains 100 pieces of Ear pad.

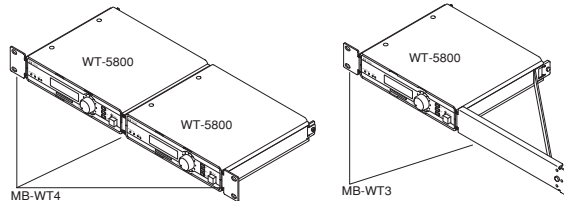
Wireless Tuner



- Phased Lock Loop (PLL) synthesis operation
- Four 16-channel banks of circuit frequencies
- True diversity technology
- Double super-heterodyne receiving system
- Two-line LCD display
- Auto mixing input function

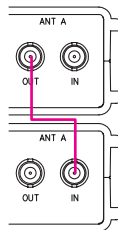


- Squelch function (carrier, noise, tone)
- Usable frequencies scanning and vacant channel search function
- Compact half-rack size body



- 6 points audio level meter for microphone sensitivity adjustment
- Comander circuitry for minimizing ambient noise
- Antenna distribution output

- Whip antenna x 2



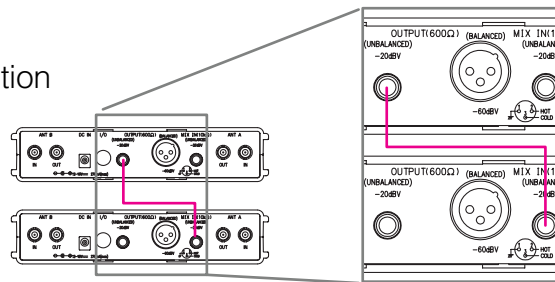
- Low-battery indicator (wireless microphone's battery voltage becomes low)



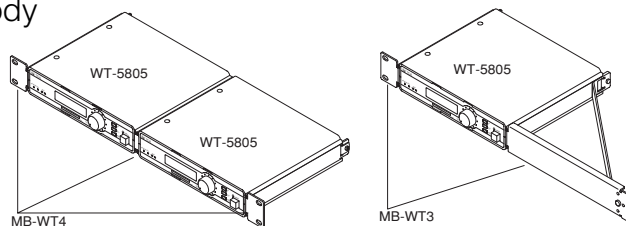
Wireless Tuner



- Phased Lock Loop (PLL) synthesis operation
- Four 16-channel banks of circuit frequencies
- TOA space diversity technology
- Double super-heterodyne receiving system
- Two-line LCD display
- Auto mixing input function



- Squelch function (carrier, noise, tone)
- Usable frequencies scanning and vacant channel search function
- Compact half-rack size body



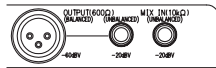
- 6 points audio level meter for microphone sensitivity adjustment
- Comander circuitry for minimizing ambient noise
- Whip antenna × 2
- Low-battery indicator (wireless microphone's battery voltage becomes low)



Wireless Tuner



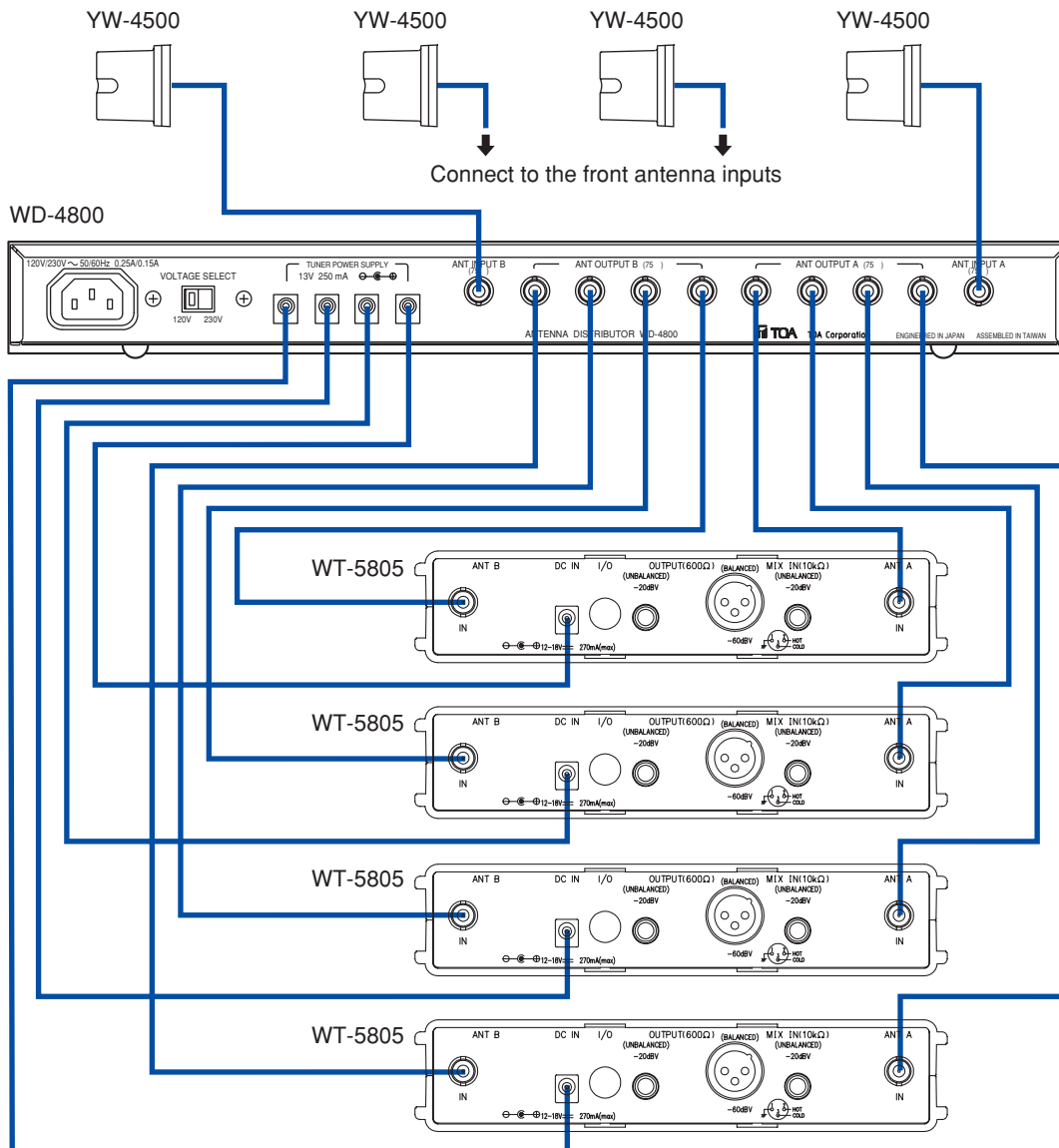
- Phased Lock Loop (PLL) synthesis operation
- 16 selectable channel frequencies
- TOA space diversity technology
- Double super-heterodyne receiving system
- Auto mixing input function
- Squelch function (carrier, noise, tone)
- Usable frequencies scanning and vacant channel search function
- Compact portable design
- Comander circuitry for minimizing ambient noise
- Rod antenna × 2
- Balanced output (XLR connector) and phone jack output
- Low-battery indicator (wireless microphone's battery voltage becomes low)



Anntena Distributor



- 2 antenna inputs and 4 distributed outputs
- 2 inputs per antenna which are mixed for output (when 2 antennas are set up in a large room)
- Supplies power to the antenna and tuner
- Compact 19" rack-mount design



Wireless Antenna



- UHF wireless dipole indoor antenna
- Wall mounted
- Power supplied by tuner unit (WT-5800, WT-5805, WD-4800) through coaxial cable
- Built-in RF signal booster
- Attenuation switch helps minimize noise and any interference

Cable Type	External Diameter	Max. Length
RG-6/U	8.4mm	35m
RG-11/U	10.3mm	50m

Wireless Tuner Unit



- PLL synthesis double superheterodyne diversity tuner module
- Designed for use with UHF wireless equipment
- Squelch function mutes output to reduce noise
- Includes compander noise reduction to cut ambient RF noise
- Compact dimensions

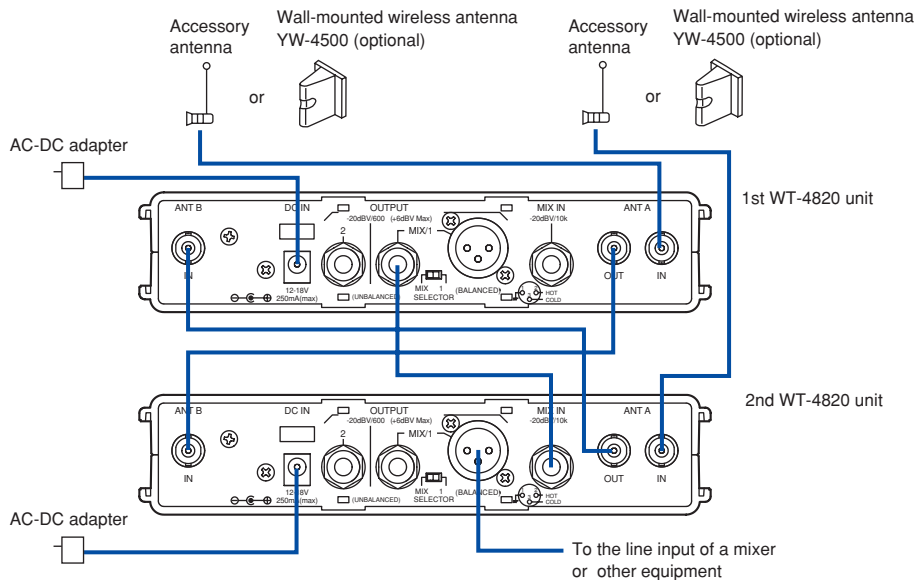
Wireless Tuner



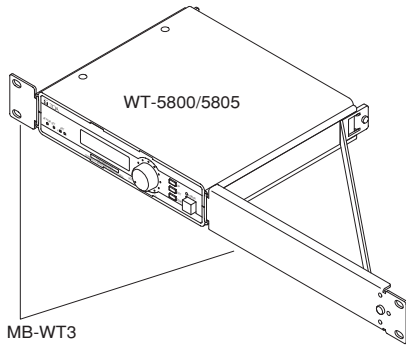
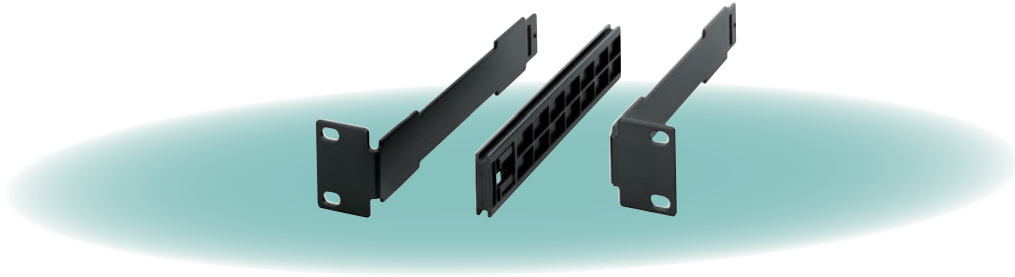
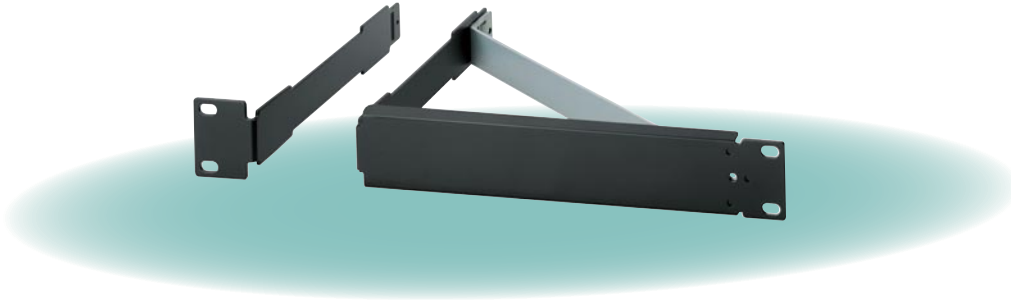
- 16 selectable channel frequencies
- Antenna cascade output function (parallel connection possible for linking two WT-4820 units)
- Auto mixing input function
- Tuner unit (WTU-4800) connections accessible from the front (even if rack mounted, the front panel is easily opened)



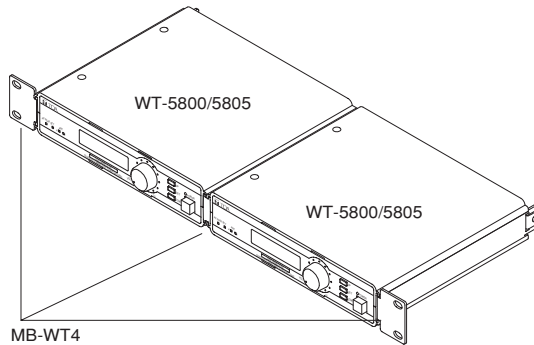
- TOA Space Diversity technology
- Mix output/tuner 1 output (selectable), tuner 2 has 2 outputs
- Whip antenna x 2
- Compact half-rack size body
- External antenna input



Rack Mounting Brackets



MB-WT3



MB-WT4

Frequency Table (A01, B01, B02)

BANK CHANNEL	A01				B01			
	1	2	3	4	1	2	3	4
0	692.125	692.325	692.525	692.725	722.125	722.325	722.525	722.725
1	692.475	692.675	692.875	693.075	722.475	722.675	722.875	723.075
2	692.925	693.125	693.325	693.525	722.925	723.125	723.325	723.525
3	693.475	693.675	693.875	694.075	723.475	723.675	723.875	724.075
4	694.125	694.325	694.525	694.725	724.125	724.325	724.525	724.725
5	695.025	695.225	695.425	695.625	725.025	725.225	725.425	725.625
6	696.475	696.675	696.875	697.075	726.475	726.675	726.875	727.075
7	698.225	698.425	698.625	698.825	728.225	728.425	728.625	728.825
8	700.125	700.325	700.525	700.725	730.125	730.325	730.525	730.725
9	702.775	702.975	703.175	703.375	732.775	732.975	733.175	733.375
A	703.875	704.075	704.275	704.475	733.875	734.075	734.275	734.475
B	706.625	706.825	707.025	707.225	736.625	736.825	737.025	737.225
C	709.725	709.925	710.125	710.325	739.725	739.925	740.125	740.325
D	713.925	714.125	714.325	714.525	743.925	744.125	744.325	744.525
E	716.125	716.325	716.525	716.725	746.125	746.325	746.525	746.725
F	720.975	721.175	721.375	721.575	750.975	751.175	751.375	751.575

Compatible Frequency List

- * WM-4200/4300/5220/5270/5320/5225/5265/5325: BANK 1-4
- WT-4800/5800/5805: BANK 1-4
- WM-4210/4220/4310, WT-4810/5810, WTU-4800, WT-5100: BANK 1

BANK CHANNEL	B02			
	1	2	3	4
0	740.125	740.175	740.225	740.275
1	740.475	740.525	740.575	740.625
2	740.925	740.975	741.025	741.075
3	741.475	741.525	741.575	741.625
4	742.125	742.175	742.225	742.275
5	743.025	743.075	743.125	743.175
6	744.475	744.525	744.575	744.625
7	746.225	746.275	746.325	746.375
8	748.125	748.175	748.225	748.275
9	750.775	750.825	750.875	750.925
A	751.875	—	—	—
B				
C				
D				
E				
F				

Compatible Frequency List

- * WM-4200/4300/5220/5270/5320/5225/5265/5325: BANK 1-4
- WM-4210/4220/4310, WT-4810/5810, WTU-4800, WT-5100: BANK 1

FREQUENCY TABLE

Frequency Table (C01, C02, C03, C04)

BANK CHANNEL	C01				C02			
	1	2	3	4	1	2	3	4
0	798.625	799.050	799.475	799.900	819.125	819.175	819.225	819.275
1	798.975	799.400	799.825	800.250	819.475	819.525	819.575	819.625
2	799.425	799.850	800.275	800.700	820.125	820.175	820.225	820.275
3	799.975	800.400	800.825	801.250	820.875	820.925	820.975	821.025
4	800.625	801.050	801.475	801.900	821.325	821.375	821.425	821.475
5	801.525	801.950	802.375	802.800	822.175	822.225	822.275	822.325
6	802.975	803.400	803.825	804.250	823.275	823.325	823.375	823.425
7	804.725	805.150	805.575	806.000	823.825	823.875		
8	806.625	807.050	807.475	807.900				
9	809.275	809.700	810.125	810.550				
A	810.375	810.800	811.225	811.650				
B	813.125	813.550	813.975	814.400				
C	816.225	816.650	817.075	817.500				
D	820.425	820.850	821.275	821.700				
E	822.625	823.050	823.475	823.900				
F	827.475	827.900	828.325	828.750				

Compatible Frequency List

- * WM-4200/4300/5220/5270/5320/5225/5265/5325: BANK 1-4
- WT-4800/5800/5805: BANK 1-4
- WM-4210/4220/4310, WT-4810/5810, WTU-4800, WT-5100: BANK 1

BANK CHANNEL	C03				C04			
	1	2	3	4	1	2	3	4
0	819.875	819.775	819.675	819.575	794.250	794.300	794.350	794.400
1	819.525	819.425	819.325	819.225	794.600	794.650	794.700	794.750
2	819.075	818.975	818.875	818.775	795.050	795.100	795.150	795.200
3	818.525	818.425	818.325	818.225	795.600	795.650	795.700	795.750
4	817.875	817.775	817.675	817.575	796.500	796.550	796.600	796.650
5	816.975	816.875	816.775	816.675	797.700	797.750	797.800	797.850
6	815.525	815.425	815.325	815.225	799.250	799.300	799.350	799.400
7	813.775	813.675	813.575	813.475	800.900	800.950	801.000	801.050
8	811.875	811.775	811.675	811.575	801.600	801.650	801.700	801.750
9	809.225	809.125	809.025	808.925	803.350	803.400	803.450	803.500
A	806.475	806.375	806.275	806.175	804.450	804.500	804.550	804.600
B	803.375	803.275	803.175	803.075				
C	802.275	802.175	802.075	801.975				
D	800.075	799.975	799.875	799.775				
E								
F								

Compatible Frequency List

- * WM-4200/4300/5220/5270/5320/5225/5265/5325: BANK 1-4
- WT-4800/5800/5805: BANK 1-4
- WM-4210/4220/4310, WT-4810/5810, WTU-4800, WT-5100: BANK 1

Frequency Table (C05, C06, C07)

BANK CHANNEL	C05				C06			
	1	2	3	4	1	2	3	4
0	819.225	819.275	819.325	819.375	800.650	800.125	800.175	800.350
1	819.575	819.625	819.675	819.725	802.025	800.475	800.525	800.700
2	820.325	820.375	820.425	820.475	803.050	800.925	800.975	801.150
3	820.975	821.025	821.075	821.125	803.550	801.475	801.525	801.700
4	821.525	821.575	821.625	821.675	804.800	802.375	802.425	802.600
5	821.975	822.025	822.075	822.125	806.950	804.475	804.525	804.700
6	822.825	822.875	822.925	822.975	808.575	806.125	806.175	806.350
7	819.225	819.275	819.325	819.375	809.225	808.125	808.175	808.350
8	819.575	819.625	819.675	819.725	811.725	809.325	809.375	809.550
9	820.325	820.375	820.425	820.475	812.850	810.875	810.925	811.100
A	820.975	821.025	821.075	821.125	813.750	811.975	812.025	812.200
B	821.525	821.575	821.625	821.675	801.100	812.625	812.675	812.850
C	821.975	822.025	822.075	822.125	801.925	814.000	814.050	798.300
D	822.825	822.875	822.925	822.975	802.325	814.350	814.400	800.225
E	819.225	819.275	819.325	819.375	806.850	814.800	814.850	805.500
F	819.575	819.625	819.675	819.725	810.100	815.350	815.400	807.000

Compatible Frequency List

- * WM-4200/4300/5220/5270/5320/5225/5265/5325: BANK 1-4
- WT-4800/5800/5805: BANK 1-4
- WM-4210/4220/4310, WT-4810/5810, WTU-4800, WT-5100: BANK 1

BANK CHANNEL	C07			
	1	2	3	4
0	794.025	794.775	797.100	802.025
1	796.700	796.000	797.500	805.100
2	798.300	797.900	800.975	808.975
3	800.225	799.000	804.700	812.700
4	805.500	808.225	806.300	814.300
5	807.000	813.500	810.775	815.000
6	812.000	813.900	816.225	820.700
7	821.900	820.000	816.975	829.100
8	823.000	821.500	818.775	823.000
9	824.225	822.300	821.100	824.225
A	826.025	824.975	802.025	826.025
B	826.775	828.700	805.100	826.775
C	802.775	814.300	808.975	802.775
D	805.900	815.000	812.700	805.900
E	818.025	820.700	824.975	818.025
F	829.900	829.100	828.700	829.900

Compatible Frequency List

- * WM-4200/4300/5220/5270/5320/5225/5265/5325: BANK 1-4
- WT-4800/5800/5805: BANK 1-4
- WM-4210/4220/4310, WT-4810/5810, WTU-4800, WT-5100: BANK 1

Frequency Table (D01, D02, D03)

BANK CHANNEL	D01				D03			
	1	2	3	4	1	2	3	4
0	837.275	837.325	837.375	837.425	854.175	863.125	854.800	841.250
1	839.725	839.775	839.825	839.875	854.525	863.475	855.450	841.750
2	841.925	841.975	842.025	842.075	854.975	863.925	856.700	843.250
3	846.775	846.825	846.875	846.925	856.175	864.475	858.175	848.750
4	850.225	850.275	850.325	850.375	857.175	863.275	859.900	849.750
5	852.975	853.025	853.075	853.125	858.075	863.625	861.000	842.250
6	854.075	854.125	854.175	854.225	859.475	864.075	861.900	842.750
7	856.725	856.775	856.825	856.875	860.575	864.625	863.525	849.250
8	858.625	858.675	858.725	858.775	861.275	863.375	864.075	850.250
9	860.375	860.425	860.475	860.525	861.875	863.725	864.525	851.750
A	861.825	861.875	861.925	861.975	861.500	864.175	864.875	850.750
B	862.725	862.775	862.825	862.875	860.375	864.725	854.225	851.250
C	863.375	863.425	863.475	863.525	857.250	863.500	854.575	863.500
D	863.925	863.975	864.025	864.075	856.000	863.850	855.025	863.850
E	864.375	864.425	864.475	864.525	855.500	864.300	855.575	864.300
F	864.725	864.775	864.825	864.875	854.650	864.850	857.200	864.850

Compatible Frequency List

- * WM-4200/4300/5220/5270/5320/5225/5265/5325: BANK 1-4
- WT-4800/5800/5805: BANK 1-4
- WM-4210/4220/4310, WT-4810/5810, WTU-4800, WT-5100: BANK 1

BANK CHANNEL	D02			
	1	2	3	4
0	854.900	858.975	846.900	842.325
1	855.275	859.500	847.275	843.525
2	855.900	863.725	847.900	844.450
3	856.175	846.425	848.175	846.025
4	856.575	846.950	848.575	848.475
5	857.625	847.925	849.625	863.025
6	857.950	849.575	849.950	864.300
7	858.200	850.050	850.200	864.650
8	858.650	861.200	850.650	863.000
9	860.400	861.750	850.975	863.475
A	860.900		851.500	864.350
B	861.550		852.400	864.725
C	863.375		852.900	842.750
D	863.925		853.200	849.500
E	864.375		853.550	853.375
F	864.725		853.750	

Compatible Frequency List

- * WM-4200/4300/5220/5270/5320/5225/5265/5325: BANK 1-4
- WM-4210/4220/4310, WT-4810/5810, WTU-4800, WT-5100: BANK 1

Frequency Table (D04, D05)

D04	
BANK CHANNEL	1
0	863.125
1	863.475
2	863.925
3	864.475
4	863.275
5	863.625
6	864.075
7	864.625
8	863.375
9	863.725
A	864.175
B	864.725
C	863.500
D	863.850
E	864.300
F	864.850

D05	
BANK CHANNEL	1
0	841.250
1	841.750
2	843.250
3	848.750
4	849.750
5	842.250
6	842.750
7	849.250
8	850.250
9	851.750
A	850.750
B	851.250
C	863.500
D	863.850
E	864.300
F	864.850

Compatible Frequency List

- * WM-4200/4300/5220/5270/5320/5225/5265/5325: BANK 1-4
- WT-4800/5800/5805: BANK 1-4
- WM-4210/4220/4310, WT-4810/5810, WTU-4800, WT-5100: BANK 1

FREQUENCY TABLE

Frequency Table (E01, F01, G01, G02)

BANK CHANNEL	E01				F01			
	1	2	3	4	1	2	3	4
0	668.750	668.850	668.950	669.050	636.500	636.600	636.700	636.825
1	669.100	669.200	669.300	669.400	636.850	636.950	637.050	637.175
2	669.550	669.650	669.750	669.850	637.300	637.400	637.500	637.625
3	671.050	671.150	671.250	671.350	637.850	637.950	638.050	638.175
4	671.600	671.700	671.800	671.900	638.500	638.600	638.700	638.825
5	672.250	672.350	672.450	672.550	639.400	639.500	639.600	639.725
6	673.200	673.300	673.400	673.500	640.850	640.950	641.050	641.175
7	675.600	675.700	675.800	675.900	642.600	642.700	642.800	642.925
8	676.950	677.050	677.150	677.250	644.500	644.600	644.700	644.825
9	678.650	678.750	678.850	678.950	647.150	647.250	647.350	647.475
A	684.200	684.300	682.100	682.200	648.250	648.350	648.450	648.575
B	685.300	685.400	686.000	686.100	651.000	651.100	651.200	651.325
C	689.150	689.250	690.200	690.300	654.100	654.200	654.300	654.425
D	690.950	691.050	694.550	694.650	658.300	658.400	658.500	658.625
E	694.200	694.300	696.400	696.500	660.500	660.600	660.700	660.825
F	697.150	697.250	697.500	697.600	665.350	665.450	665.550	665.675

Compatible Frequency List

- * WM-4200/4300/5220/5270/5320/5225/5265/5325: BANK 1-4
- WT-4800/5800/5805: BANK 1-4
- WM-4210/4220/4310, WT-4810/5810, WTU-4800, WT-5100: BANK 1

BANK CHANNEL	G01				G02			
	1	2	3	4	1	2	3	4
0	606.725	606.750	606.775	606.800	615.925	615.950	615.975	616.000
1	607.175	607.200	607.225	607.250	616.375	616.400	616.425	616.450
2	607.725	607.750	607.775	607.800	616.925	616.950	616.975	617.000
3	608.375	608.400	608.425	608.450	617.575	617.600	617.625	617.650
4	609.125	609.150	609.175	609.200	618.325	618.350	618.375	618.400
5	610.425	610.450	610.475	610.500	619.425	619.450	619.475	619.500
6	611.275	611.300	611.325	611.350	621.475	621.500	621.525	621.550
7	613.025	613.050	613.075	613.100	624.425	624.450	624.475	624.500
8	615.275	615.300	615.325	615.350	625.725	625.750	625.775	625.800
9	616.375	616.400	616.425	616.450	628.025	628.050	628.075	628.100
A	619.475	619.500	619.525	619.550	629.775	629.800	629.825	629.850
B	621.975	622.000	622.025	622.050	630.625	630.650	630.675	630.700
C	626.275	626.300	626.325	626.350	633.475	633.500	633.525	633.550
D	630.725	630.750	630.775	630.800	634.975	635.000	635.025	635.050
E	634.175	634.200	634.225	634.250				
F	635.675	635.700	635.725	635.750				

Compatible Frequency List

- * WM-4200/4300/5220/5270/5320/5225/5265/5325: BANK 1-4
- WT-4800/5800/5805: BANK 1-4
- WM-4210/4220/4310, WT-4810/5810, WTU-4800, WT-5100: BANK 1

Frequency Table (H01)

	H01			
BANK CHANNEL	1	2	3	4
0	578.600	578.625	578.650	579.100
1	579.050	579.075	579.100	579.550
2	579.600	579.625	579.650	580.100
3	580.250	580.275	580.300	580.750
4	581.000	581.025	581.050	581.500
5	582.100	582.125	582.150	582.600
6	583.600	583.625	583.650	584.100
7	584.900	584.925	584.950	585.400
8	585.750	585.775	585.800	586.250
9	587.800	590.025	589.050	590.500
A	592.150	593.775	591.750	592.800
B	594.400	596.075	596.600	594.850
C	598.200	598.125	598.350	598.000
D	601.450	601.275	600.400	599.750
E	604.150	603.025	602.650	602.450
F	605.900	605.725	605.600	605.700

Compatible Frequency List

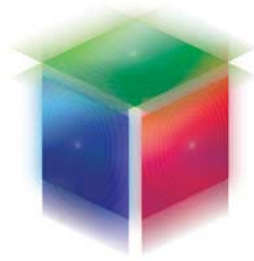
- * WM-4200/4300/5220/5270/5320/5225/5265/5325: BANK 1-4
WM-4210/4220/4310, WT-4810/5810, WTU-4800, WT-5100: BANK 1

Frequency Table (K01)

	K01			
BANK CHANNEL	1	2	3	4
0	925.075	925.125	925.375	925.450
1	925.075	925.575	925.825	925.900
2	926.525	926.125	926.375	926.450
3	926.725	926.775	926.025	926.100
4	927.575	927.625	927.875	927.850
5	928.075	928.075	928.075	928.950
6	930.100	930.125	930.400	930.450
7	931.850	931.875	931.700	931.750

Compatible Frequency List

* WM-/5225/5265: BANK 1-4



**Human society with
Sound & Communication**